

**Bovie**

**AARON 800™-EU/900™**

**HIGH FREQUENCY DESICCATOR**



**AARON 800™ - EU**



**AARON 900™**

## **USER'S GUIDE**

---

# TABLE OF CONTENTS

Introduction.....3

Precautions.....3

Unit Operation .....4

Setup Procedures .....5

Maintenance .....6

Sterilization .....6

Accessories .....7

Technical Description.....7

Warranty and Repair .....8

Troubleshooting.....8

Transport and Storage .....8

Graphs.....9

Symbol Key.....10

---

## INTRODUCTION

Thank you for purchasing the Aaron High Frequency Desiccator. Please visually check the unit to ensure that damage did not occur during shipment and that all standard items are included. The basic unit should include the electrosurgical unit with power cord, a handpiece, 50 disposable sharp dermal tips (A900 only), 50 disposable blunt dermal tips (A900 only), and a mounting kit (A837). If there are any discrepancies, please contact Aaron at +1-727-384-2323.



EU Authorized Representative:  
Peter J. Smith Medical Products Marketing  
18 Yeates Close  
Thame OX9 3AR, UK

## PRECAUTIONS

In order to safely operate the Aaron High Frequency Desiccator, several precautions need to be followed.

.....  
**CAUTIONS:**

Federal (USA) law restricts sale of this device to or on the order of a physician.

Use caution when using the Aaron High Frequency Desiccator on patients who have a pacemaker or metal implant.

The function of other electromagnetic equipment can be interfered with by the use of high frequency current.

When high frequency surgical equipment and physiological monitoring equipment are used simultaneously on the same patient, any monitoring electrodes should be placed as far as possible from the surgical electrodes. Needle monitoring electrodes are not recommended.

To avoid the possibility of an electrosurgical burn to either the patient or the physician, do not allow the patient to come in contact with a grounded metal object during activation. When activating the unit, there should be no direct skin contact between the patient and the doctor. It is also advisable to remove any loose fitting jewelry from the patient prior to activation.

Cables should be positioned in such a way that contact with the patient or other leads is avoided. Temporarily unused active electrodes should be stored isolated from the patient.

This is a non-sterile product.

System is not Mains Voltage Regulated. Recalibration is required if input Mains Voltage is changed.

To reduce the risk of electrical shock, do not remove back plate. Refer servicing to qualified personnel.

.....  
**WARNINGS:**

Do not use the Aaron High Frequency Desiccator in the presence of flammable anesthetics. Fire could result.

Keep the power setting as low as possible to achieve the desired effect.

For surgical procedures where the HF current could flow through parts of the body having a relatively small cross-sectional area, the use of bipolar techniques may be desirable to avoid unwanted coagulation.

Apparent low output or failure of the surgical equipment to function correctly at the normal operating settings may indicate faulty application of the neutral electrode or poor contact in its connections.

Store the unit in a cool, dry place.

Grounding reliability can only be achieved when the equipment is connected to an equivalent receptacle marked "Hospital Only" or "Hospital Grade".

## UNIT OPERATION

The Aaron High Frequency Desiccator produces radio frequency current which is useful for the removal and destruction of superficial cutaneous and mucosal lesions. This is done by performing desiccation and fulguration procedures. Electrosurgical desiccation occurs when the electrode is placed directly onto the surface of the lesion. Fulguration occurs when the electrode is held slightly above the lesion and an arc is delivered to the lesion. The unit also provides fast and efficient bleeding control by coagulation of capillaries and small blood vessels.

For the majority of desiccation, fulguration, and coagulation procedures utilizing the standard handpiece in the monopolar output, the patient plate is optional. When used, the patient plate will intensify the coagulation properties of the unit and also lessen the opportunity for an electrosurgical burn. The optional footswitch adds versatility when using the standard handpiece in the monopolar output, as the footswitch allows you to activate the unit by either the handpiece or the footswitch. Bipolar outputs are available for those physicians who prefer to utilize bipolar forceps to perform coagulation procedures. A footswitch is required when using the bipolar output and the patient plate is not used. Procedures that are performed in sensitive areas may require an anesthetic. Flammable anesthetics should not be used.

If you are unfamiliar with the operation of a low powered electrosurgery unit, it is advisable to practice on chicken or lean flank steak to visualize the effects at various output and power levels.

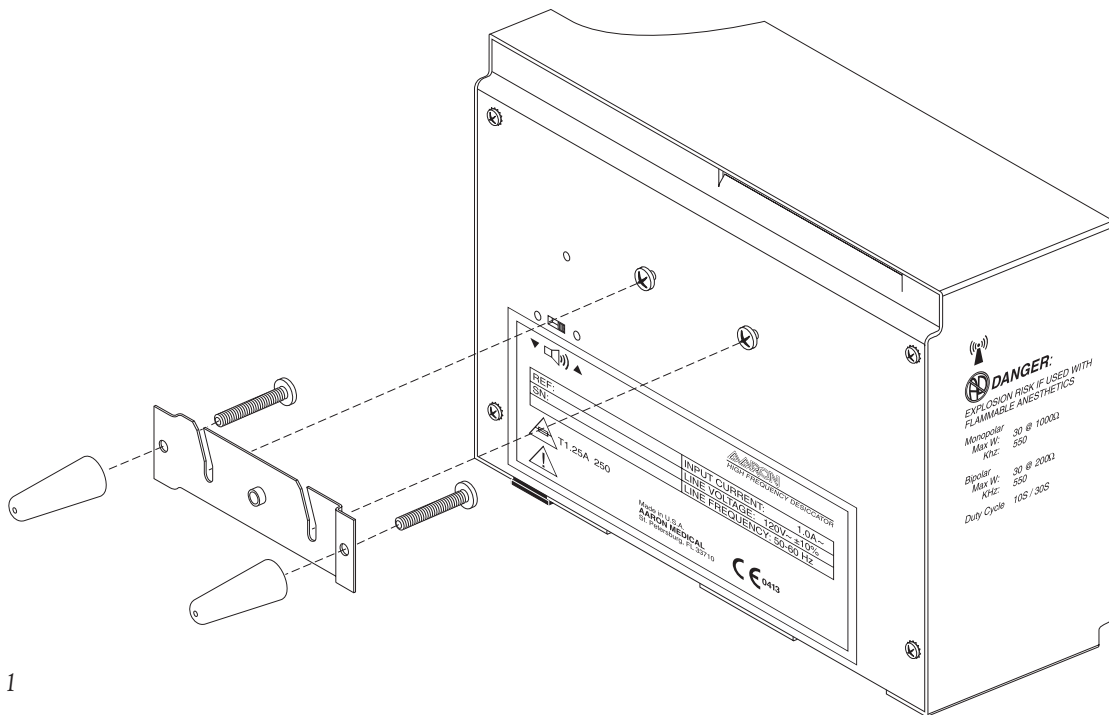


Figure 1

## SETUP PROCEDURES

1. Mount the Aaron High Frequency Desiccator on the wall or optional mobile stand using the standard mounting kit (see figure 1). Do not operate the unit in the horizontal position, as liquids may spill into unit.

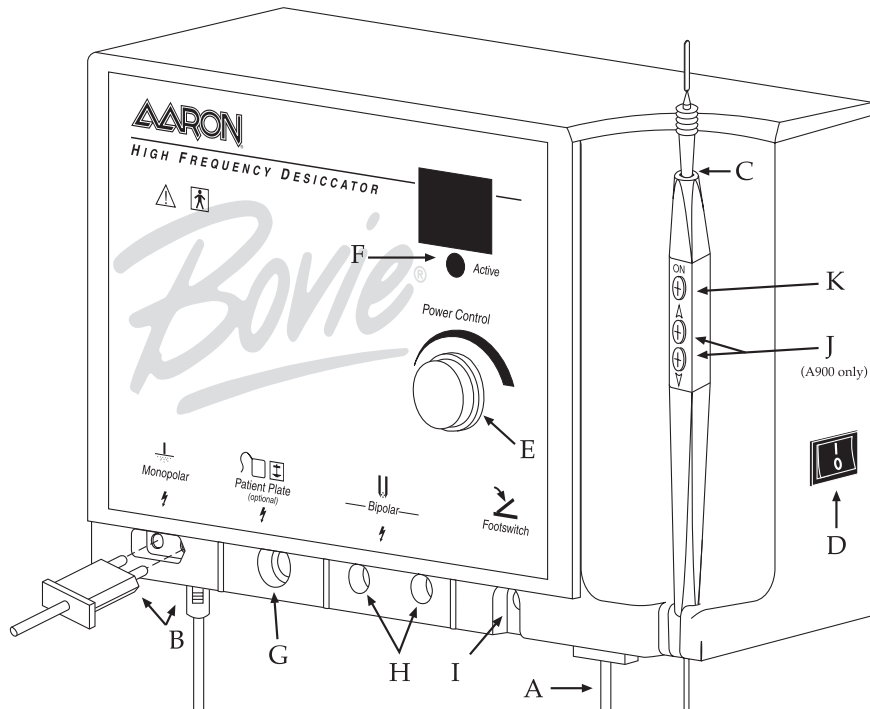


Figure 2

2. Plug the female end of the power cord into the base of the unit (see figure 2, letter A).
3. Plug the male end of the power cord into a grounded wall receptacle.
4. Plug the handpiece into the monopolar output on the lower left of the front on the unit (see figure 2, letter B). The plug is designed to fit in only one direction. Plug the smaller round connector from the handpiece (A900 only) into the receptacle on the bottom of the unit (see figure 2, letter B). The three button handpiece is designed to give the doctor complete fingertip control of the power output settings.
5. Slide the standard electrode into the handpiece until it is firmly seated (see figure 2, letter C). The handpiece will accept most standard  $\frac{3}{32}$ " electrodes.
6. Slide the handpiece from above into the holder on the right side of the unit.
7. Turn the unit power on utilizing the switch on the right side panel of the unit (see figure 2, letter D).
8. Set the power output either by using the dial on the front of the unit (see figure 2, letter E) or on Aaron 900 unit only by the up and down buttons on the handpiece (see figure 2, letter J). When power level adjustment is being made by the handpiece an audible tone will sound to indicate that the power level has been changed. Depressing and holding the up or down buttons will cause the power settings to change more rapidly for quick adjustment of the output settings. Power output is displayed in ".1" watt increments below 10 watts and in whole numbers from 10 to 30 watts.

**NOTICE:**

*The output settings can not be adjusted when the unit is being activated.*

9. To activate the unit, remove the handpiece from the holder. Place the handpiece in the desired position and depress the activation button (see figure 2, letter K). When the unit is activated, an audible tone is sounded and the blue active light will illuminate (see figure 2, letter F).
10. To use the optional grounding plate with cord (A802EU), insert the plug of the cord into the grounding plate output (see figure 2, letter G) and connect the other end into the grounding plate. The plate should be placed underneath the patient at a point where the entire plate is covered by bare skin. Do not use gels or creams on the plate.
11. To use the optional bipolar cord (A827EU), insert the plugs into the bipolar outputs (see figure 2, letter H). The cord is then plugged into the forceps. A sliding gate behind the monopolar and bipolar outputs prevents the user from using both simultaneously.
12. The optional footswitch is plugged into the footswitch output and placed on the floor (see figure 2, letter I). The footswitch can be used with monopolar procedures and must be used with bipolar procedures.
13. When the procedure is completed, turn the unit off utilizing the switch on the right side panel of the unit.
14. Return the handpiece to the holder on the right side of the unit and remove the electrode. The electrode should be disposed of after each procedure. If contamination has occurred to the handpiece, the handpiece should also be sterilized.
15. Adjustment of the audible tone is achieved by a switch located on the rear of the unit (see figure 3). Two tone choices are available, high and low. A small screwdriver will be necessary to make the adjustment.

Figure 3



## MAINTENANCE

The Aaron High Frequency Desiccator requires periodic cleaning. When the unit case requires cleaning, simply utilize a soap and water solution and wipe clean. Be careful to not have any water enter into the unit through the various openings. Dry the unit with a clean, lint-free cloth.

## STERILIZATION

The Aaron High Frequency Desiccator and standard accessories are supplied non-sterile. The handpiece may be cleaned and sterilized. Refer to the instruction sheet that accompanies the electrode and handpiece for specific instructions on cleaning and sterilization. We recommend that all contaminated electrodes and handpieces be sterilized prior to disposal.

---

## **ACCESSORIES**

The accessories listed below are original Aaron® accessories to be used with the Aaron High Frequency Desiccator. Accessories, replacement parts, and disposable items that are not listed should only be used when their safety and technical suitability have been checked. Additional accessories are available from your local Aaron dealer.

Reusable items must be checked for damage before each re-sterilization. Accidental burns can be caused by damaged accessories.

### ***Recommended, Standard Accessories***

<b>Catalog #</b>	<b>Description</b>
A801EU	Replaceable Handpiece (for use with A800EU only)
A901	Replaceable 3-button Handpiece (for use with A900 only)
A802EU	Grounding Plate with Cord
A827EU	Reusable Bipolar Cord
A804	Disposable Dermal Tips (Sharp)
A806	Disposable Dermal Tips (Blunt)

## **TECHNICAL DESCRIPTION**

### ***Mains Connection***

Main Voltage:	110 / 220 VAC
Main Frequency:	50 - 60 Hertz
Main Current:	1.00A / 800 mA Max.
Power Consumption:	80 W
Duty Cycle:	10sec on / 30sec off
Main Fuses	2 x 1.25A (slow blow) 110 model 2 x 800ma (slow blow) 220 model

### ***HF Output Characteristics***

#### **Monopolar**

Output Power:	30 W / 1000Ω
Output Frequency:	550 kHz
Peak Open Circuit Voltage:	5000 V

Refer to figures 5 and 7 for diagrams showing Monopolar output characteristics.

#### **Bipolar**

Output Power	30 W / 200Ω
Output Frequency:	550 kHz
Peak Open Circuit Voltage:	2100 V

Refer to figures 4 and 6 for diagrams showing Bipolar output characteristics.

---

## **Safety**

Basic Construction:	In accordance with EN 60601-1
Mode of Operation:	Intermittent operation
Protection Class:	CLASS I EQUIPMENT
Output Type:	TYPE BF

## **Dimensions and Weight**

Length x Width x Height = 9" x 4.5" x 6.3"

Weight: 5 lbs.

## **WARRANTY AND REPAIR**

The Aaron High Frequency Desiccator is covered under warranty for a period of two years. The handpiece is covered under warranty for a period of one year or 25 steam autoclave cycles, whichever comes first. The warranty becomes null and void if damage occurs from incorrect handling or misuse of the product.

For warranty and repair work, please contact Aaron and obtain a Return Goods Authorization number (RGA). Place the number so that it can be seen on the exterior of the package and ship directly to Aaron. A return without an RGA may not be accepted.

## **TROUBLESHOOTING**

The Aaron High Frequency Desiccator has been designed and manufactured with the utmost safety in mind. The unit is equipped to automatically detect a malfunction. The following table list error codes, their meaning and recommended actions to be taken to resolve the error.

<b>Error Code</b>	<b>Description of Error</b>	<b>Recommended Action</b>
E1	Activation upon power up	<ul style="list-style-type: none"><li>• Check handpiece for activation.</li><li>• Check footswitch for activation; once the activation is halted the unit will resolve the error. If the error persists the handpiece could be malfunctioning and may need to be replaced.</li></ul>
E2	DC Supply Over Voltage Detection	<ul style="list-style-type: none"><li>• Switch unit off and on again.</li><li>• Make sure unit is connected to correct power source for the unit.</li></ul>
E3	Pulse Width	<ul style="list-style-type: none"><li>• Switch unit off and on again.</li></ul>
E4	Delta Error	<ul style="list-style-type: none"><li>• Switch unit off and on again.</li></ul>
E5	Multiple Errors	<ul style="list-style-type: none"><li>• Switch unit off and on again.</li></ul>
E6	Temperature Error	<ul style="list-style-type: none"><li>• Switch unit off. Allow unit to cool. Switch unit on.</li></ul>

If problems persist, the unit should be taken out of service and the manufacturer should be notified. For technical support or return authorization phone +1-800-537-2790.

## **TRANSPORT AND STORAGE**

Ambient temperature range: -40°C to 70°C

Relative humidity: 10% to 100%, non-condensing

Atmospheric pressure: 500hPa to 1060hPa.



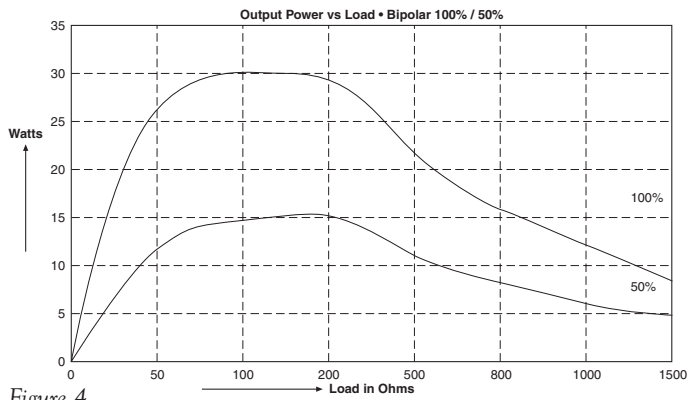


Figure 4

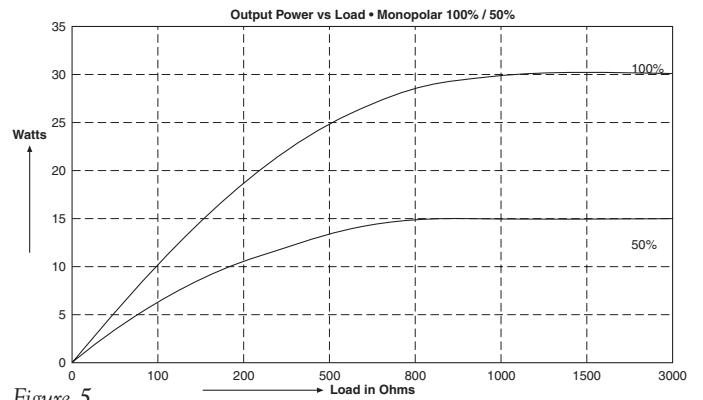


Figure 5

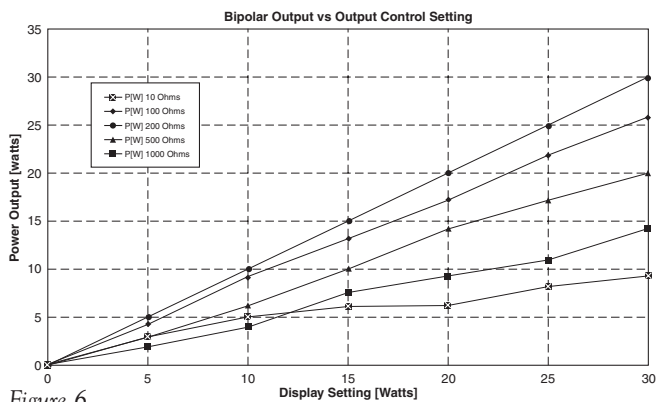


Figure 6

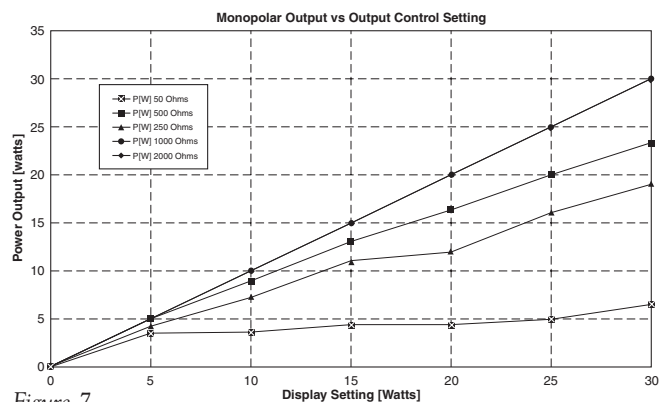


Figure 7

---

## DESCRIPTION OF SYMBOLS



Caution: To reduce the risk of electric shock, do not remove rear panel.  
Refer all servicing to qualified personnel.



Caution: Jack location is a source of dangerous voltage.



Caution: Read directions for use prior to using equipment.



On (power: connection to the mains).



Off (power: disconnection from the mains).



Fuse enclosed (warning appears next to symbol).



Monopolar output jack (hand control pencil jack).



Bipolar output jack.



Patient Plate, for use with Monopolar modes.



Footswitch jack, for foot controlled activation of monopolar (optional) and bipolar devices.



Type BF Equipment.



Non-ionizing radiation.



Neutral Electrode referenced to earth.



▼ Volume control.



Explosion Risk if used with flammable anesthetics.

**Bovie**

**AARON 800™-EU/900™**

**HIGH FREQUENCY DESICCATOR**



**AARON 800™ - EU**



**AARON 900™**

## **GUIDE DE L'UTILISATEUR**

---

## **TABLE DES MATIERES**

Introduction.....	13
Précautions.....	13
Fonctionnement de l'appareil.....	14
Procédures de mise en route .....	15
Entretien.....	16
Stérilisation .....	16
Accessoires.....	17
Description technique.....	17
Garantie et réparation .....	18
Identification des problèmes .....	18
Transport et stockage .....	18
Représentations graphiques.....	19
Touche symbole .....	20

---

## INTRODUCTION

Merci d'avoir choisi le dessiccateur à haute fréquence Aaron. Examiner l'appareil à vue pour vérifier qu'il n'a subi aucun dommage en cours de transport et que la totalité des éléments livrés en standard sont présents. L'ensemble de base se compose d'un générateur électrochirurgical avec son cordon d'alimentation, d'une pièce à main, de 50 aiguilles dermiques jetables tranchantes (A900 seulement), de 50 aiguilles dermiques jetables émoussées (A900 uniquement) et d'un nécessaire de montage (A837). En cas de divergences, prendre contact avec Aaron au +1-727-384-2323.



EU Authorized Representative:  
Peter J. Smith Medical Products Marketing  
18 Yeates Close  
Thame OX9 3AR, UK

## PRÉCAUTIONS

Pour un fonctionnement sans danger du dessiccateur à haute fréquence Aaron, plusieurs précautions doivent être prises.

---

### MISE EN GARDE:

Les lois fédérales des Etats-Unis limitent la vente de cet appareil à un médecin ou sur prescription médicale.

Faire preuve de prudence si le dessiccateur à haute fréquence Aaron est utilisé chez des patients ayant un pacemaker ou un implant métallique.

Le fonctionnement d'autres appareils électromagnétiques peut être perturbé par l'utilisation de courant à haute fréquence.

Quand un appareil chirurgical et un appareil de monitoring physiologique à haute fréquence sont utilisés conjointement sur le même patient, placer les électrodes de monitoring le plus loin possible des électrodes chirurgicales. L'utilisation d'aiguilles-électrodes de monitoring est déconseillée.

Pour parer à l'éventualité d'une brûlure par électrochirurgie du patient ou du médecin, veiller à ce que le patient n'entre pas en contact avec un objet métallique relié à la terre en cours d'activation. Lorsque l'appareil est activé, il ne doit y avoir aucun contact cutané entre le patient et le médecin. Il est également conseillé d'ôter les bijoux peu ajustés du patient avant l'activation.

Positionner les câbles de façon à éviter un contact avec le patient ou d'autres conducteurs. Stocker temporairement les électrodes actives inutilisées à l'écart du patient.

Ce produit est non stérile.

La tension d'alimentation du système n'est pas réglée. Un réétalonnage est impératif si la tension d'alimentation est modifiée.

Pour diminuer le risque de choc électrique, ne pas ôter la plaque arrière. Confier les réparations au personnel habilité.

---

### AVERTISSEMENT:

Ne pas utiliser le dessiccateur à haute fréquence Aaron en présence d'anesthésiques inflammables. Risque d'incendie.

Maintenir le réglage de puissance aussi bas que possible pour obtenir l'effet désiré.

Pour les procédures chirurgicales où le courant HF pourrait s'écouler à travers des parties du corps ayant une surface transversale relativement petite, l'utilisation de techniques bipolaires peut s'avérer préférable pour éviter une coagulation inopportune.

---

**AVERTISSEMENT:**

Une faible sortie apparente ou une défaillance de l'appareil de chirurgie pour des paramètres de fonctionnement normaux peut être révélatrice d'une mise en place imparfaite de l'électrode neutre ou d'un mauvais contact au niveau de ses connexions. Ranger l'appareil dans un endroit frais et sec.

Une mise à la terre fiable n'est possible que si l'appareil est connecté à une prise équivalente identifiée « hôpital uniquement » ou « qualité hôpital ».

## FONCTIONNEMENT DE L'APPAREIL

Le dessiccateur à haute fréquence Aaron produit un courant à haute fréquence utile à l'évacuation et à la destruction des lésions cutanées et muqueuses superficielles. Ceci est accompli par des procédés de dessiccation et de fulguration. La dessiccation par électrochirurgie intervient quand l'électrode est placée directement contre la surface de la lésion. La fulguration intervient quand l'électrode est placée légèrement au-dessus de la lésion, un arc étant délivré à la lésion. L'appareil permet également une maîtrise rapide et efficace de l'hémorragie par coagulation des capillaires et des petits vaisseaux sanguins.

Pour la majorité des procédures de dessiccation, de fulguration et de coagulation faisant appel à la pièce à main standard dans la sortie monopolaire, l'utilisation de la plaque patient est optionnelle. La plaque patient accroît les propriétés de coagulation de l'appareil et diminue la probabilité de brûlure par électrochirurgie. Utilisée avec la pièce à main standard dans la sortie monopolaire, la pédale optionnelle ajoute une souplesse d'utilisation en permettant l'ac-

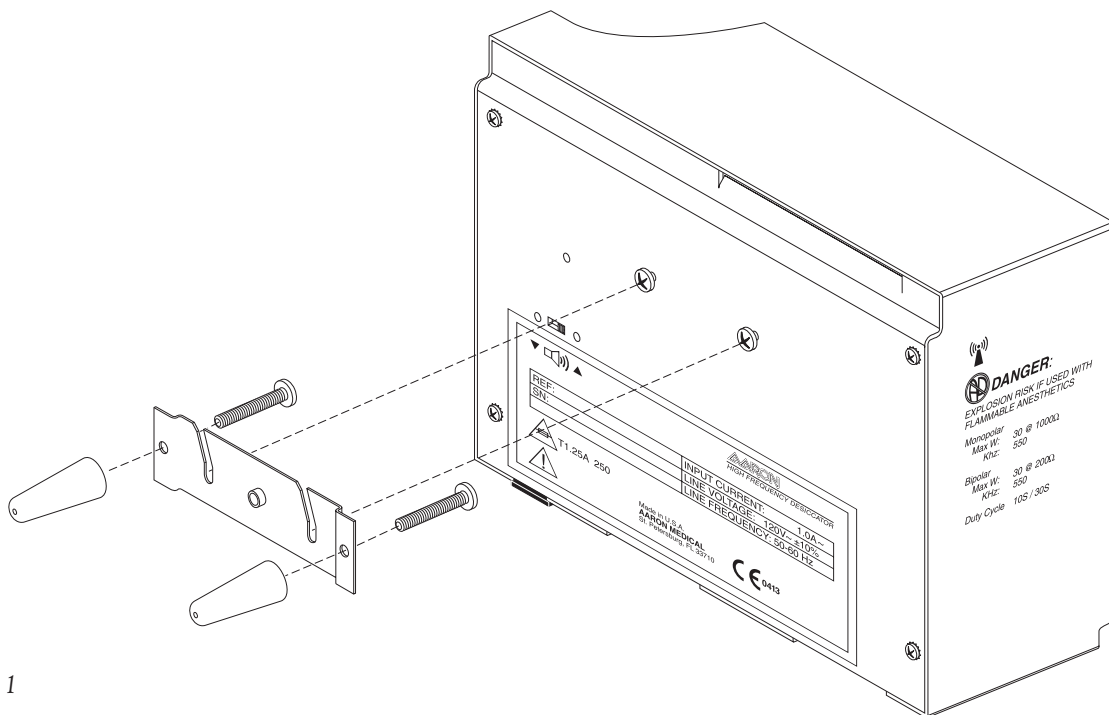


Figure 1

tivation de l'appareil par la pièce à main ou la pédale. Des sorties bipolaires sont disponibles pour les médecins préférant utiliser une pince bipolaire pour les procédures de coagulation. Si la plaque patient n'est pas employée, une pédale est indispensable pour utiliser la sortie bipolaire. Les procédures réalisées dans les régions sensibles peuvent nécessiter un anesthésique. Ne pas employer d'anesthésiques inflammables.

Si vous n'êtes pas familiarisé avec le fonctionnement d'un appareil d'électrochirurgie à faible tension, il est conseillé de vous entraîner sur du poulet ou un bifteck de flanc maigre pour visualiser les effets produits à différents niveaux de sortie et de puissance.

## PROCÉDURES DE MISE EN ROUTE

1. Monter le dessiccateur à haute fréquence Aaron sur un mur ou sur le support mobile en option à l'aide du nécessaire de montage standard (voir figure 1). Ne pas faire fonctionner l'appareil en position horizontale pour éviter un épanchement de liquides dans l'appareil.

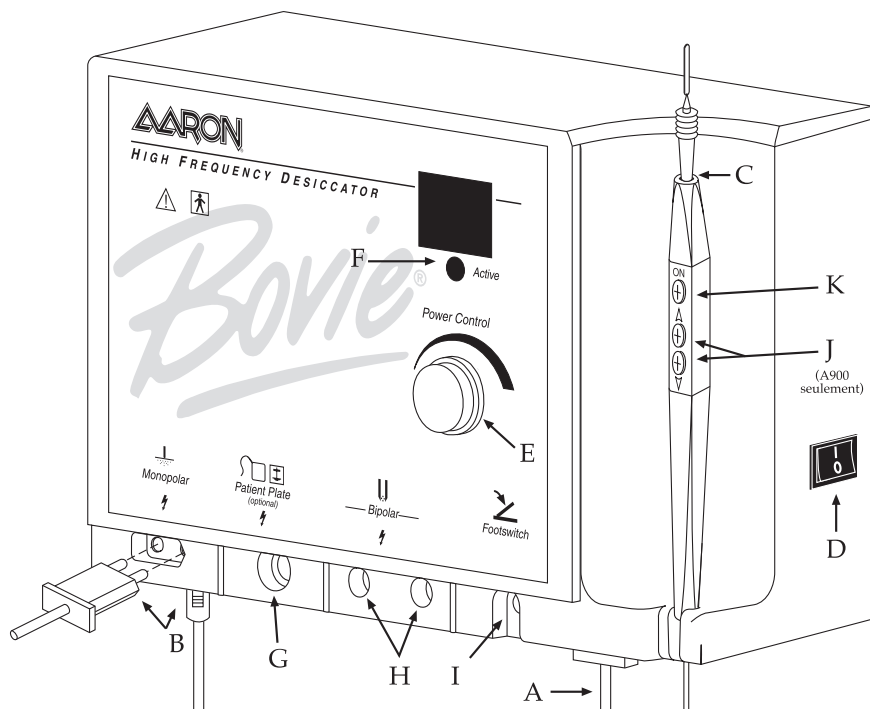


Figure 2

2. Insérer l'extrémité femelle du cordon d'alimentation à la base de l'appareil (voir figure 2, lettre A).
3. Insérer l'extrémité mâle du cordon d'alimentation dans une prise murale reliée à la terre.
4. Brancher la pièce à main dans la sortie monopolaire en bas à gauche, à l'avant de l'appareil (voir figure 2, lettre B). La fiche ne peut être engagée que dans une seule position. Insérer le connecteur plus petit et arrondi de la pièce à main (A900 seulement) dans la prise située au dessous de l'appareil (voir figure 2, lettre B). La pièce à main à trois boutons est conçue pour donner au médecin une maîtrise complète, du bout des doigts, des paramètres de puissance de sortie.
5. Engager l'électrode standard dans la pièce à main jusqu'à ce qu'elle soit fermement en place (voir figure 2, lettre C). La pièce à main est compatible avec la plupart des électrodes 3/32".
6. Engager la pièce à main par le dessus dans le support situé sur le côté droit de l'appareil.
7. Mettre l'appareil sous tension en utilisant l'interrupteur situé sur le panneau latéral droit de l'appareil (voir figure 2, lettre D).
8. Régler la puissance de sortie à l'aide du bouton de commande placé à l'avant de l'appareil (voir figure 2, lettre E) ou, sur l'unité Aaron 900 seulement, à l'aide des boutons haut et bas situés sur la pièce à main (voir figure 2, lettre J). Lorsqu'un ajustement de la puissance de sortie est réalisée à l'aide de la pièce à main, un signal audible est émis pour indiquer que le niveau de puissance a été modifié. Le fait d'appuyer sur les boutons plus ou moins et de les maintenir enfoncés entraîne une variation plus rapide des paramètres de puissance pour un ajustement rapide des paramètres de sortie. La puissance de sortie s'affiche par incréments de 0,1 W en dessous de 10 W et en nombres entiers entre 10 et 30 W.

### REMARQUE :

Les paramètres de sortie ne peuvent pas être ajustés quand l'appareil est en cours d'activation.

9. Pour activer l'appareil, retirer la pièce à main du support. Placer la pièce à main dans la position désirée et enfoncer le bouton d'activation (voir figure 2, lettre K). Lorsque l'unité est activée, un signal audible est émis et la lumière bleue d'activation s'illumine (voir figure 2, lettre F).

10. Pour utiliser la plaque optionnelle de mise à la terre munie de son cordon (A802EU), insérer la fiche du cordon dans la sortie de la plaque de mise à la terre (voir figure 2, lettre G) et relier l'autre extrémité à la plaque de mise à la terre. Disposer la plaque sous le patient de façon à ce que la plaque entière soit recouverte par la peau nue. Ne pas employer de gels ou de crèmes sur la plaque.

11. Pour utiliser le cordon bipolaire en option (A827EU), insérer les fiches dans les sorties bipolaires (voir figure 2, lettre H). Le cordon est ensuite branché dans la pince. Une grille coulissante disposée sous les sorties monopolaire et bipolaire empêche l'utilisateur de les utiliser simultanément.

12. La pédale optionnelle est branchée dans la sortie pédale et disposée par terre (voir figure 2, lettre I). La pédale peut être utilisée pour des procédures monopolaires et doit être utilisée pour des procédures bipolaires.

13. Quand la procédure est terminée, débrancher l'appareil au moyen de l'interrupteur situé sur le panneau latéral droit de l'appareil.

14. Replacer la pièce à main sur son support, sur le côté droit de l'appareil et retirer l'électrode. Eliminer l'électrode après chaque intervention. Si la pièce à main venait à être contaminée, stériliser aussi la pièce à main.

15. La tonalité du signal audible peut être ajustée au moyen d'un interrupteur situé à l'arrière de l'appareil (voir figure 3). Il existe deux tonalités, haute et basse. Un petit tournevis est nécessaire pour réaliser l'ajustement.

Figure 3



## ENTRETIEN

Le dessiccateur à haute fréquence Aaron nécessite un nettoyage périodique. Lorsque le boîtier de l'appareil doit être nettoyé, utiliser de l'eau savonneuse et nettoyer à fond. Veiller à ne pas laisser pénétrer d'eau dans l'appareil par les différentes ouvertures. Sécher l'appareil avec un chiffon propre, non pelucheux.

## STÉRILISATION

Le dessiccateur à haute fréquence Aaron et les accessoires standard sont fournis non stériles. La pièce à main peut être nettoyée et stérilisée. Se reporter à la fiche d'instructions accompagnant l'électrode et la pièce à main pour des instructions spécifiques de nettoyage et de stérilisation. Nous recommandons de stériliser et de décontaminer les électrodes et les pièces à main avant leur élimination.



---

## ACCESSOIRES

Les accessoires répertoriés ci-dessous sont des pièces d'origine Aaron® à utiliser avec le dessiccateur à haute fréquence Aaron. Les accessoires, les pièces de rechange et les éléments à usage unique non répertoriés ne doivent être utilisés qu'après validation de leur sécurité d'emploi et de leur adéquation technique. D'autres accessoires sont disponibles auprès de votre distributeur local Aaron. Contrôler l'intégrité des éléments réutilisables avant chaque nouvelle stérilisation. Des brûlures accidentelles peuvent être causées par des accessoires endommagés. Accessoires standard recommandés.

<u>Référence catalogue</u>	<u>Description</u>
A801EU	Pièce à main interchangeable (à utiliser exclusivement avec A800EU)
A901	Pièce à main interchangeable à 3 boutons (à utiliser exclusivement avec A900)
A802EU	Plaque de mise à la terre avec cordon
A827EU	Cordon bipolaire réutilisable
A804	Aiguilles dermiques à usage unique (acérées)
A806	Aiguilles dermiques à usage unique (émoussées)

## DESCRIPTION TECHNIQUE

### Branchement secteur

Tension d'alimentation : 110 / 220 V alternatifs  
Fréquence d'alimentation : 50 - 60 Hertz  
Intensité d'alimentation : 1,00 A / 800 mA Max.  
Consommation : 80 W  
Cycle de fonctionnement : 10 s ON / 30 s OFF  
Fusibles d'alimentation : 2 x 1,25A (fusion temporisée) modèle 110 V  
2 x 800 mA (fusion temporisée) modèle 220V

### Caractéristiques de la sortie HF

#### Monopolaire

Puissance de sortie : 30 W / 1000  $\Omega$   
Fréquence de sortie : 550 kHz  
Tension de crête de circuit ouvert : 5000 V

Se reporter aux figures 5 et 7 pour les schémas présentant les caractéristiques de sortie monopolaire.

#### Bipolaire

Puissance de sortie : 30 W / 200  $\Omega$   
Fréquence de sortie : 550 kHz  
Tension de crête de circuit ouvert : 2100 V

Se reporter aux figures 4 et 6 pour les schémas présentant les caractéristiques de sortie bipolaire.

### Sécurité

Conception de base : En conformité avec EN 60601-1  
Mode de fonctionnement : Fonctionnement intermittent  
Classe de protection : EQUIPEMENT DE CLASSE I  
Type de sortie : TYPE BF Dimensions et masse  
Longueur x Largeur x Hauteur = 9" x 4,5" x 6,3"  
Masse : 5 livres.

---

## **GARANTIE ET RÉPARATION**

Le dessiccateur à haute fréquence Aaron est garanti pendant deux ans. La pièce à main est garantie pendant deux ans ou 25 cycles d'autoclave à vapeur, au premier des deux termes atteints. La garantie est nulle et non avenue en cas de dommages occasionnés par un maniement ou un emploi inadapté de l'appareil.

Pour faire valoir la garantie et demander une réparation, contactez Aaron pour obtenir un numéro d'autorisation de retour d'article (RMA). Inscrive le numéro pour qu'il soit lisible à l'extérieur du paquet et adresser votre envoi directement à Aaron. Un envoi sans RMA pourra être refusé.

## **IDENTIFICATION DES PROBLÈMES**

Le dessiccateur à haute fréquence Aaron a été conçu et fabriqué avec le plus grand soin. L'appareil est conçu pour détecter automatiquement un dysfonctionnement. Le tableau suivant donne la liste des codes d'erreur, leur signification et les actions recommandées à prendre pour résoudre le problème.

Code d'erreur	Description de l'erreur	Action recommandée
E1	Activation à la montée en puissance.	<ul style="list-style-type: none"><li>• Contrôler l'activation au niveau de la pièce à main</li><li>• Contrôler l'activation au niveau de la pédale ; une fois l'activation stoppée, l'appareil pourra remédier au problème. Si le problème persiste, un dysfonctionnement de la pièce à main est possible et il peut s'avérer nécessaire de la remplacer.</li></ul>
E2	Surtension en courant continu	<ul style="list-style-type: none"><li>• Eteindre puis rallumer l'appareil Détection</li><li>• Vérifier que l'appareil est connecté à une source d'alimentation adaptée à l'appareil.</li></ul>
E3	Amplitude de l'impulsion	<ul style="list-style-type: none"><li>• Eteindre puis rallumer l'appareil</li></ul>
E4	Erreur delta	<ul style="list-style-type: none"><li>• Eteindre puis rallumer l'appareil</li></ul>
E5	Erreurs multiples	<ul style="list-style-type: none"><li>• Eteindre puis rallumer l'appareil</li></ul>
E6	Erreur de température	<ul style="list-style-type: none"><li>• Éteindre l'appareil. Laisser refroidir l'appareil. Mettre l'appareil sous tension.</li></ul>

Si les problèmes persistent, mettre l'appareil hors service et avertir le fabricant.

Pour bénéficier d'une assistance technique ou demander une autorisation de retour, composer le +1-800-537-2790.

## **TRANSPORT ET STOCKAGE**

Plage de température ambiante : -40 °C à 70 °C

Humidité relative : 10 % à 100 %, de non-condensation

Pression atmosphérique : 500 hPa à 1060

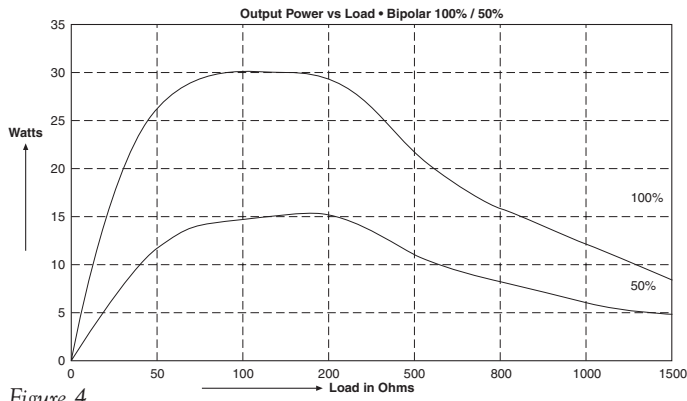


Figure 4

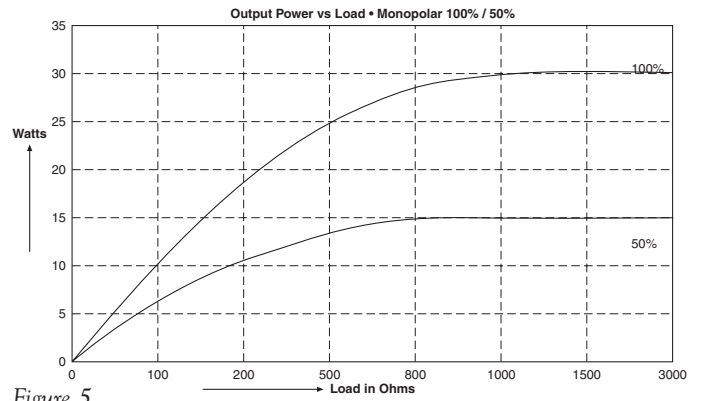


Figure 5

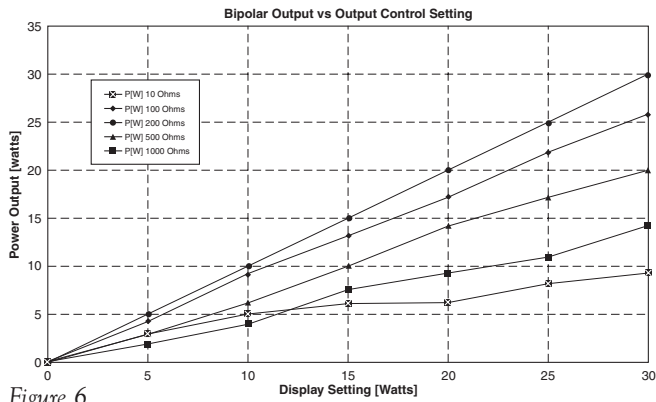


Figure 6

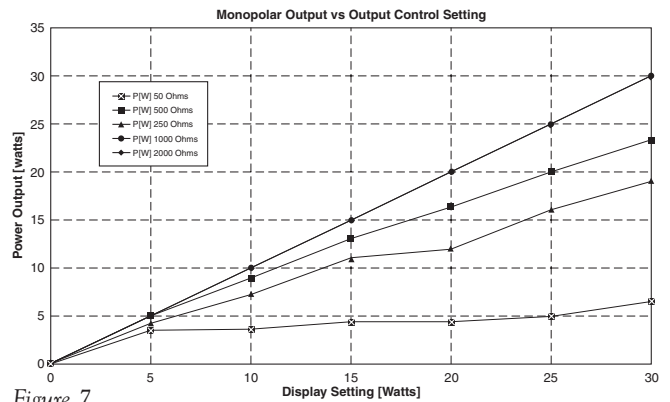


Figure 7

---

## DESCRIPTION DES SYMBOLES



Mise en garde : Pour diminuer le risque de choc électrique, ne pas ôter le panneau arrière. Confier toute réparation au personnel habilité.



Mise en garde : L'endroit où sont disposées les prises constitue une source de tension élevée.



Mise en garde : Lire le mode d'emploi avant d'utiliser l'appareil.



ON (alimentation : raccordée au secteur).



OFF (alimentation : non raccordée au secteur).



Fusible incorporé (l'avertissement apparaît à côté du symbole).



Sortie monopolaire (prise crayon à contrôle manuel).



Sortie bipolaire.



Plaque patient, à utiliser dans les modes monopolaires.



Prise pédale, pour une activation au pied des instruments monopolaires (en option) et bipolaires.



Appareil de type BF.



Rayonnement non ionisant.



Electrode neutre reliée à la terre.



▼ ▲ Contrôle du volume.



Risque d'explosion en présence d'anesthésiques inflammables.

**Bovie**

**AARON 800™-EU/900™**

**HIGH FREQUENCY DESICCATOR**



**AARON 800™ - EU**



**AARON 900™**

## **BEDIENUNGSANLEITUNG**

---

## **INHALTSVERZEICHNIS**

Einführung.....	23
Vorsichtsmaßnahmen .....	23
Betrieb des Gerätes .....	24
Einstellungen .....	25
Wartung .....	26
Sterilisierung .....	26
Zubehör .....	27
Technische Beschreibung.....	27
Gewährleistung und Reparatur .....	28
Fehlerbehebung .....	28
Transport und Lagerung.....	28
Kurven.....	29
Symboltaste .....	30

---

## EINFÜHRUNG

Vielen Dank für den Erwerb des HF-Desikkators von Aaron. Bitte vergewissern Sie sich per Sichtkontrolle, dass das Gerät während des Versands nicht beschädigt wurde und alles standardmäßige Zubehör vollzählig geliefert wurde. Zur Grundausstattung gehört das HF-Chirurgie-Gerät mit Netzkabel, einem Handstück, 50 scharfen Einweg-Nadelelektroden (nur A900), 50 stumpfen Einweg-Nadelelektroden (nur A900) und einem Montage-Kit (A837). Bei eventuellen Unstimmigkeiten wenden Sie bitte an Aaron unter +1-727-384-2323.



EU Authorized Representative:  
Peter J. Smith Medical Products Marketing  
18 Yeates Close  
Thame OX9 3AR, UK

## VORSICHTSMAßNAHMEN

Für den ordnungsgemäßen Betrieb des Hochfrequenzsikkators Aaron sind mehrere Vorsichtsmaßnahmen zu beachten.

.....  
**VORSICHT:**

Entsprechend dem in den USA geltenden Recht dürfen diese Gerät nur an einen Arzt oder auf Anweisung eines Arztes verkauft werden.

.....  
Bei Patienten mit Herzschrittmacher oder Implantaten aus Metall ist der Hochfrequenzsikkator Aaron mit Vorsicht einzusetzen.

.....  
Durch Hochfrequenz kann der Betrieb anderer elektromagnetischer Geräte gestört werden.

.....  
Wenn an einem Patienten gleichzeitig chirurgische Hochfrequenzinstrumente und physiologische Überwachungsgeräte eingesetzt werden, sollten die Überwachungselektroden so weit wie möglich von den chirurgischen Elektroden entfernt angeordnet werden. Kanülenförmige Überwachungselektroden sollten nicht verwendet werden.

.....  
Um sowohl für den Arzt als auch für den Patienten die Gefahr einer elektrochirurgischen Verbrennung auszuschließen, sollte der Patient während der Aktivierung keinen Kontakt mit einem geerdeten Metallgegenstand kommen. Während der Aktivierung des Geräts darf kein direkter Hautkontakt zwischen Arzt und Patienten bestehen. Gleichzeitig sollte vor der Aktivierung jeglichen Schmuck, der sich locker am Körper des Patienten befindet entfernt werden.

.....  
Die Kabel so positionieren, dass sie keinen Kontakt zum Patienten oder mit anderen Kabeln haben. Vorübergehend nicht verwendete aktive Elektroden nicht in Reichweite des Patienten ablegen.

.....  
Nicht-steriles Produkt.

.....  
Das System arbeitet nicht mit geregelter Netzspannung. Wenn sich die Netzspannungseingang verändert, ist eine Rekalibrierung erforderlich.

.....  
Bei Entfernung der Rückenplatte besteht die Gefahr eines Stromschlages. Reparaturmaßnahmen sind von qualifiziertem Personal auszuführen.

.....  
**ACHTUNG:**

Den Hochfrequenzsikkator Aaron nicht zusammen mit entzündlichen Anästhetika verwenden. Es besteht Brandgefahr.

.....  
Die Leistungsstufe für das gewünschte Ergebnis so niedrig wie möglich einstellen.

.....  
Bei chirurgischen Eingriffen, bei denen der HF-Strom durch Körperteile des Patienten mit kleinem Querschnitt fließen kann, kann mit bipolaren Verfahren eine unerwünschte Koagulation verhindert werden.

**ACHTUNG:**

Weisen chirurgische Geräte scheinbar eine niedrige Ausgangsleistung auf oder ist mit normalen Betriebseinstellungen keine ordnungsgemäße Funktion gewährleistet, kann die fehlerhafte Anwendung einer neutralen Elektrode oder eine lockere Kontaktverbindung die Ursache sein. Das Gerät an einem kühlen, trockenen Ort lagern.

Eine zuverlässige Erdung ist nur dann gewährleistet, wenn das Gerät an eine Steckdose mit der Aufschrift "Für Medizingeräte zugelassen" oder "für Klinikeinsatz geeignet" angeschlossen wird.

## BETRIEB DES GERÄTES

Der Hochfrequenzexsikkator Aaron erzeugt Hochfrequenzstrom, der zur Entfernung und Beseitigung oberflächlicher kutaner Läsionen oder Schleimhautläsionen eingesetzt wird. Dazu wird die Exsikkation und Fulguration angewendet. Wenn die Elektrode direkt auf der Wundoberfläche platziert wird, spricht man von elektrochirurgischer Exsikkation. Bei der Fulguration befindet sich die Elektrode kurz über der Wunde und erzeugt einen Lichtbogen bis zur Wunde. Mit dem Gerät lassen sich auch schnell und wirkungsvoll Blutungen durch Koagulation von Kapillaren und kleinen Blutgefäßen stillen.

Bei den meisten Exsikkations-, Fulgurations- und Koagulationsverfahren mit dem Standardhandstück für einpoligen Ausgang kann die Patientenplatte verwendet werden. Die Patientenplatte verstärkt die Koagulationseigenschaften des Gerätes und verringert das Risiko einer elektrochirurgischen Verbrennung. Die Flexibilität des Gerätes wird durch einen optionalen Fußschalter erhöht, dadurch kann bei Verwendung des Standardhandstücks für einpoligen Ausgang

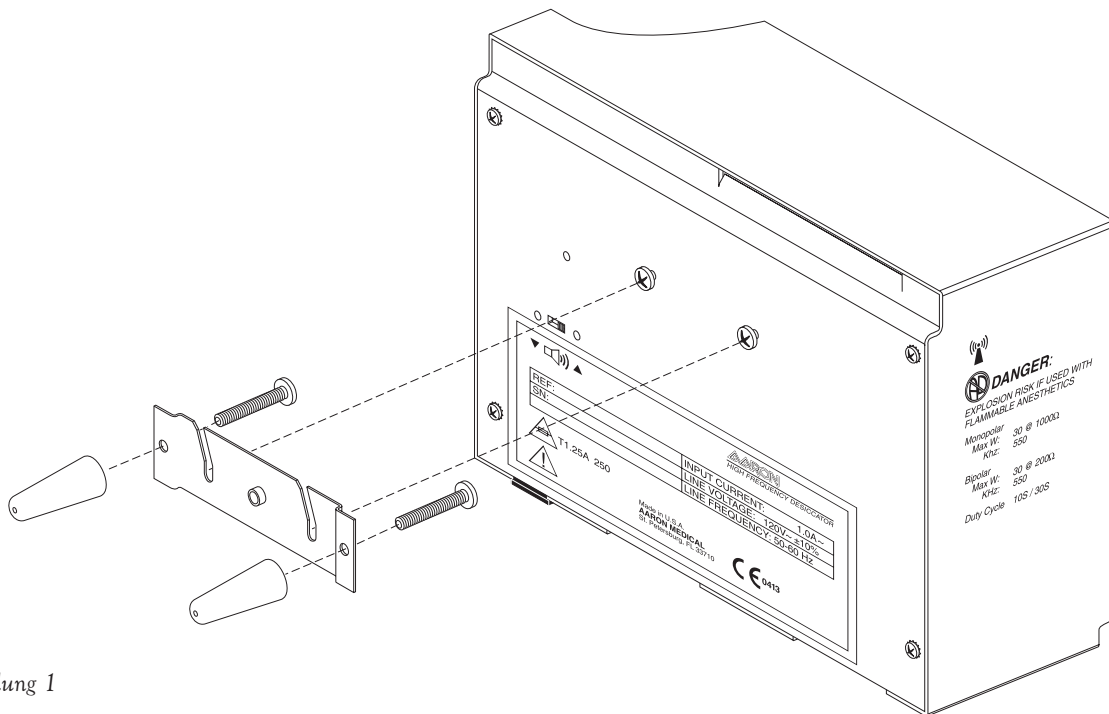


Abbildung 1

das Gerät wahlweise mit dem Handstück oder dem Fußschalter aktiviert werden. Für Ärzte, welche die Koagulation vorzugsweise mit bipolaren Zangen durchführen, werden bipolare Ausgangsleistung angeboten. Wenn der bipolare Ausgang ohne Patientenplatte verwendet wird, ist ein Fußschalter erforderlich. Wird an empfindlichen Hautpartien operiert, sollten Anästhetika eingesetzt werden. Entflammbare Anästhetika dürfen nicht eingesetzt werden. Besitzt der Arzt im Umgang mit Elektrochirurgiegeräten geringer

Energie noch nicht ausreichend Erfahrungen, sollte er die Wirkung der verschiedenen Ausgangsstufen und Leistungsstufen zuerst an Hühnern oder mageren Lendenfleischstücken testen.



## EINSTELLUNGEN

1. Den Hochfrequenzexsikkator Aaron mit Hilfe des Standardhalterungssatzes an der Wandhalterung oder auf dem optional erhältlichen, fahrbaren Untertisch montieren (siehe Abbildung 1). Das Gerät nicht in horizontaler Position einsetzen, da Flüssigkeiten hineinlaufen können.

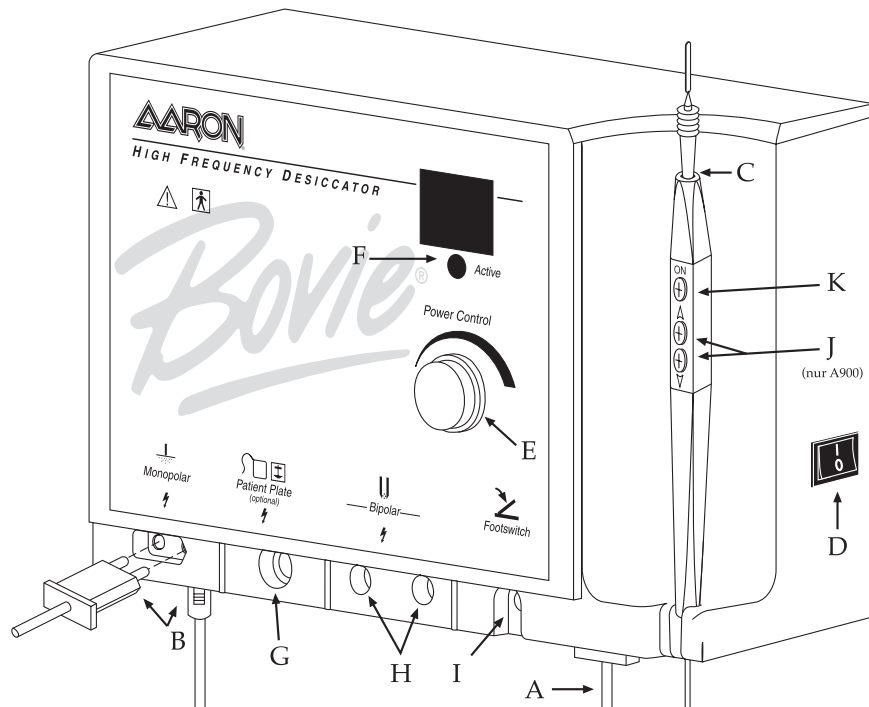


Abbildung 2

2. Die Buchse des Stromversorgungskabels in die Unterseite des Gerätes einführen (siehe Abbildung 2 - A).
3. Den Stecker des Stromversorgungskabels mit einer Schutzkontaktsteckdose verbinden.
4. Das Handstück mit dem einpoligen Ausgang unten links an der Vorderseite des Gerätes verbinden (siehe Abbildung 2 - B). Der Stecker passt nur in einer Richtung. Den kleineren, runden Steckverbinder des Handstücks (nur A900) in die Buchse an der Geräteunterseite einführen (siehe Abbildung 2 - B). Das Handstück besitzt drei Taster, damit der Arzt die Leistungsstufen bequem per Hand einstellen kann.
5. Die Standardelektrode in das Handstück schieben, bis sie fest sitzt (siehe Abbildung 2 - C). In das Handstück passen fast alle Standardelektroden 3/32 Zoll.
6. Das Handstück in die Halterung an der rechten Seite des Gerätes hängen.
7. Die Stromversorgung mit dem Schalter an der rechten Seite des Gerätes einschalten (siehe Abbildung 2 - D).
8. Stellen Sie die Leistung entweder mit dem Wahlschalter an der Vorderseite des Gerätes ein (siehe Abb. 2, Buchstabe E), oder verwenden Sie dazu bei einem Aaron-900-Gerät die Auf- und Abwärtstasten am Handstück (siehe Abb. 2, Buchstabe J). Sobald die Leistungsstufe mit dem Handstück verändert wird, ertönt ein Signalton. Je länger die Auf- und Abwärtstaster gedrückt gehalten werden, desto schneller ändert sich die eingestellte Leistungsstufe, und die Ausgangsleistung kann schneller geändert werden. Die Ausgangsleistung wird unter 10 Watt in Schritten von „0,1“ Watt und zwischen 10 und 30 Watt in Schritten von 1 Watt angezeigt.

### HINWEIS:

Die Ausgangsleistung kann nicht eingestellt werden, solange das Gerät aktiviert ist.

9. Das Handstück aus der Halterung nehmen, um das Gerät zu aktivieren. Das Handstück in die gewünschte Position bringen und den Aktivierungsschalter drücken (siehe Abbildung 2 - K). Sobald das Gerät aktiviert ist, ertönt ein Signalton, und die blaue Betriebsanzeige leuchtet (siehe Abbildung 2 - F).

10. Zur Verwendung der optionalen Erdungsplatte mit Kabel (A802EU) den Kabelstecker in den Ausgang der Erdungsplatte (siehe Abbildung 2 - G) einführen und das andere Ende mit der Erdungsplatte verbinden. Die Platte sollte so unter dem Patienten platziert werden, dass sie vollständig Kontakt mit der nackten Haut des Patienten hat. Weder Gel noch Creme auf die Platte auftragen.

11. Zur Verwendung des optionalen bipolaren Kabels (A827EU) die Stecker in die bipolaren Ausgangsleistung einführen (siehe Abbildung 2 - H). Anschließend wird das Kabel mit den bipolaren Zangen verbinden. Ein verschiebbarer Verschluss über dem einpoligen und dem bipolaren Ausgang verhindert, dass beide gleichzeitig benutzt werden.

12. Der optionale Fußschalter wird am Ausgang des Fußschalters angeschlossen und auf den Boden gestellt (siehe Abbildung 2 - I). Die Verwendung des Fußschalters ist bei einpoligen Verfahren optional, bei bipolaren Verfahren obligatorisch.

13. Nach Ende des Eingriffs das Gerät mit dem Schalter auf der rechten Seite ausschalten.

14. Das Handstück wieder in die Halterung an der rechten Seite des Gerätes hängen und die Elektrode entfernen. Die Elektrode nach jedem Eingriff entsorgen. Ist das Handstück verschmutzt, sollte es ebenfalls sterilisiert werden.

15. Der Signalton kann über einen Schalter an der Rückwand des Gerätes eingestellt werden (siehe Abbildung 3). Der Ton kann entweder laut oder leise eingestellt werden. Die Einstellungen erfolgen mit Hilfe eines kleinen Schraubenziehers.

Abbildung 3



## WARTUNG

Der Hochfrequenzexsikkator Aaron muss regelmäßig gereinigt werden. Dabei wird das Gerät mit Seifenwasser abgewischt. Durch die verschiedenen Öffnungen darf kein Wasser in das Gerät eindringen. Das Gerät mit einem sauberen, fusselreien Tuch trocknen.

## STERILISIERUNG

Der Hochfrequenzexsikkator Aaron und das Standardzubehör werden in nicht-sterilem Zustand geliefert. Das Handstück sollte gereinigt und sterilisiert werden. Genauere Hinweise zur Reinigung und Sterilisierung finden Sie in den Gebrauchshinweisen für die Elektrode und das Handstück. Es wird empfohlen, alle verunreinigten Elektroden und Handstücke vor der Entsorgung zu sterilisieren.

---

## ZUBEHÖR

Das im Folgenden aufgeführte originale Aaron®-Zubehör soll mit dem Hochfrequenzexsikkator Aaron verwendet werden. Zubehör, Ersatz- und Einwegteile, die nicht auf dieser Liste stehen, sollten nur dann verwendet werden, wenn sie zuvor auf ihre Sicherheit und technische Eignung geprüft wurden. Zusätzliches Zubehör ist über den jeweiligen lokalen Händler von Aaron erhältlich. Wiederverwendbare Teile müssen vor einer erneuten Sterilisierung auf Beschädigungen kontrolliert werden. Beschädigte Zubehöerteile können Unfälle durch Verbrennungen verursachen. Empfohlenes Standardzubehör

<u>Katalog-Nr.</u>	<u>Beschreibung</u>
A801EU	Austauschbares Handstück (nur zur Verwendung mit A800EU)
A901	Austauschbares Handstück mit 3 Tasten (nur zur Verwendung mit A900)
A802EU	Erdungsplatte mit Kabel
A827EU	Wiederverwendbares bipolares Kabel
A804	Einweg-Hautspitzen (Spitz)
A806	Einweg-Hautspitzen (Stumpf)

## TECHNISCHE BESCHREIBUNG

### Netzanschluss

Netzspannung:	110 / 220 V
Netzfrequenz:	50 - 60 Hertz
Netzstrom:	1,00 A / 800 mA Max.
Leistungsaufnahme:	80 W
Arbeitszyklus:	10 s ein / 30 s aus
Hauptsicherungen	2 x 1,25 A (träge) Ausführung 110 2 x 800 mA (träge) Ausführung 220

### HF-Ausgangsparameter

#### Einpolige

Ausgangsleistung:	30 W / 1000Ω
Ausgangsfrequenz:	550 kHz
Spitzenspannung bei offenem Stromkreis:	5000 V

In Abbildung 5 und 7 sind die Ausgangsparameter für einpoligen Anschluss dargestellt.

#### Bipolare

Ausgangsleistung	30 W / 200Ω
Ausgangsfrequenz:	550 kHz
Spitzenspannung bei offenem Stromkreis:	2100 V

In Abbildung 4 und 6 sind die Ausgangsparameter für bipolaren Anschluss dargestellt.

### Sicherheit

Grundgerät:	Erfüllt die Forderungen nach EN 60601-1
Betriebsart:	Intermittierender Betrieb
Schutzklasse:	GERÄTEKLASSE I
Ausgangsart:	TYP BF

---

### **Abmessungen und Gewicht**

Länge x Breite x Höhe = 228.6 mm (9") x 114.3 mm (4,5") x 160.02 mm (6,3")

Gewicht: 2,25 kg (5 lbs)

## **GEWÄHRLEISTUNG UND REPARATUR**

Die Gewährleistung für den Hochfrequenzexsikkator Aaron gilt für zwei Jahre. Die Gewährleistung für das Handstück gilt für . Zwei Jahre bzw. 25 Sterilisierungen im Dampfautoklaven, je nachdem, was zuerst zutrifft. Die Gewährleistung wird hinfällig, wenn die Schäden auf unsachgemäße Verwendung oder Mißbrauch des Produkts zurückzuführen sind.

Für Gewährleistungs- und Reparaturleistungen muss eine RMA-Nummer (Genehmigung zur Rücksendung) angegeben werden, die bei Aaron eingeholt werden kann. Die Nummer ist außen sichtbar an der Verpackung anzubringen und das Gerät auf direktem Wege an Aaron zu senden. Ohne RMA-Nummer erfolgt keine Rücknahme des Gerätes.

## **FEHLERBEHEBUNG**

Das Gerät Aaron mit strengsten Sicherheitsauflagen entwickelt und hergestellt. Das Gerät erkennt Fehler automatisch. In der folgenden Tabelle sind die Fehlercodes und ihre Bedeutung sowie die empfohlenen Maßnahmen zur Fehlerbehebung aufgeführt.

Fehlercode	Fehlerbeschreibung	Empfohlene Maßnahme
E1	Aktivierung bei Einschalten	<ul style="list-style-type: none"><li>• Aktivierung des Handstücks überprüfen</li><li>• Aktivierung des Fußschalters überprüfen. Wird die Aktivierung unterbrochen, kann das Gerät den Fehler beheben. Besteht der Fehler weiter, kann das Handstück defekt sein und muss gegebenenfalls ausgetauscht werden.</li></ul>
E2	Gleichstrom-Überspannung der Stromversorgung	<ul style="list-style-type: none"><li>• Gerät aus- und wieder einschalten Erkennung</li><li>• Anschluss des Gerätes an der richtigen Stromversorgung überprüfen.</li></ul>
E3	Impulsbreite	<ul style="list-style-type: none"><li>• Gerät aus- und wieder einschalten</li></ul>
E4	Fehler in der Dreieckschaltung	<ul style="list-style-type: none"><li>• Gerät aus- und wieder einschalten</li></ul>
E5	Mehrere Fehler	<ul style="list-style-type: none"><li>• Gerät aus- und wieder einschalten</li></ul>
E6	Temperaturfehler	<ul style="list-style-type: none"><li>• Gerät abschalten. Abkühlen lassen. Gerät wieder einschalten.</li></ul>

Wenn das Problem weiter besteht, Gerät außer Betrieb nehmen und den Hersteller verständigen.

Technischer Support oder die Genehmigung zur Rücksendung kann unter der Telefonnummer +1-800-537-2790 angefordert werden.

## **TRANSPORT UND LAGERUNG**

Umgebungstemperatur: -40°C bis 70°C

Relative Luftfeuchtigkeit: 10 % bis 100 %, nicht non-kondensierend

Luftdruck: 500 hPa bis 1060

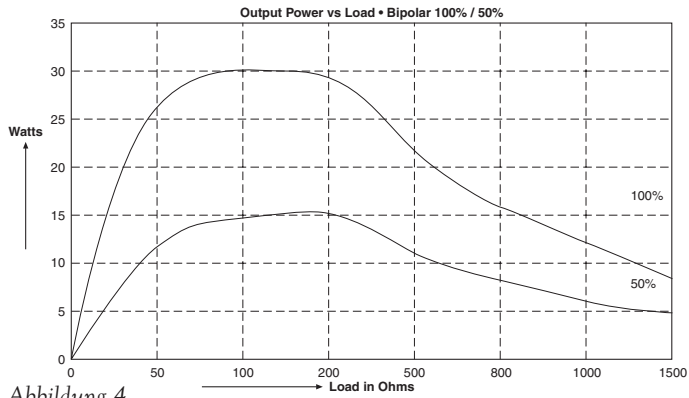


Abbildung 4

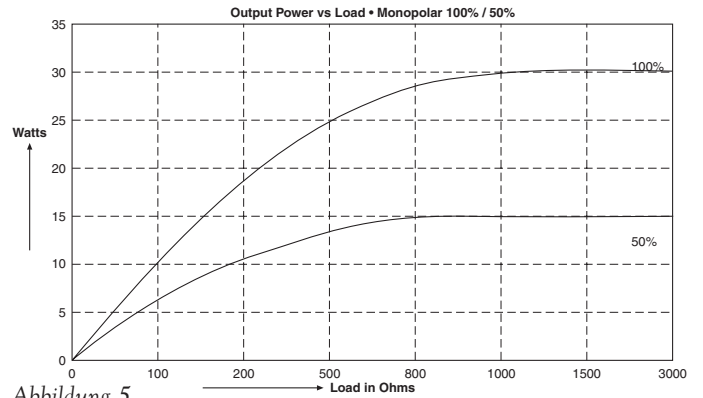


Abbildung 5

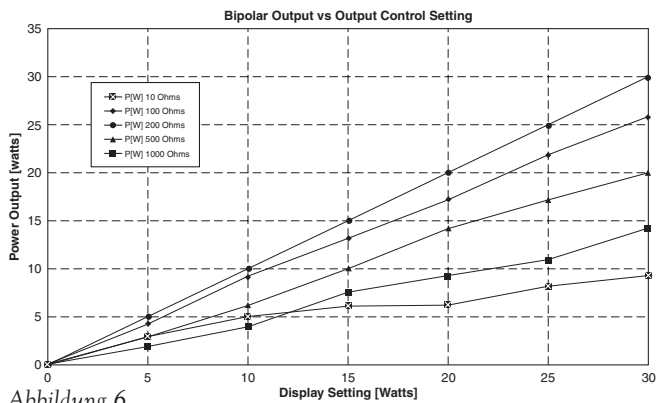


Abbildung 6

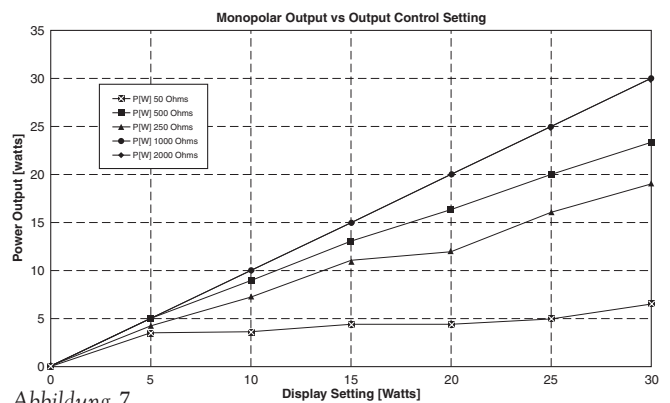


Abbildung 7

---

## BESCHREIBUNG DER SYMBOLE



Vorsicht: Die Rückwand nicht entfernen. So wird die Gefahr eines Stromschlages verringert. Alle Reparaturmaßnahmen sind von qualifiziertem Personal auszuführen.



Vorsicht: An der Buchse liegt hohe Spannung an.



Vorsicht: Vor Benutzung des Gerätes die Bedienungsanleitung durchlesen.



Ein (Stromversorgung: Verbindung mit dem Netz).



Aus (Stromversorgung: Trennung vom Netz).



Gekapselte Sicherung (das Warnzeichen befindet sich neben dem Symbol).



Buchse für einpoligen Ausgang (Klinkenbuchse für die Handsteuerung).



Buchse für bipolaren Ausgang.



Patientenplatte, Verwendung mit einpoligen Modi.



Buchse für Fußschalter, zur Aktivierung einpoliger (optional) und bipolarer Geräte.



Geräte Typ BF.



Nicht-ionisierende Strahlung.



Neutrale Elektrode mit Erdausrichtung.

▼  ▲ Lautstärkeregelung.



Explosionsgefahr bei Benutzung mit entflammbaren Anaesthetika

**Bovie**

**AARON 800™-EU/900™**

**HIGH FREQUENCY DESICCATOR**



**AARON 800™ - EU**



**AARON 900™**

## **GUIDA PER L'UTENTE**

---

## **INDICE**

Introduzione .....	33
Precauzioni.....	33
Funzionamento dell'unità .....	34
Procedure di impostazione .....	35
Manutenzione .....	36
Sterilizzazione.....	36
Accessori.....	37
Descrizione tecnica .....	37
Garanzia e riparazione.....	38
Risoluzione dei problemi.....	38
Trasporto e deposito .....	38
Grafici .....	39
Chiave dei simboli .....	40



---

## INTRODUZIONE

La ringraziamo per l'acquisto dell'essiccatore ad alta frequenza Aaron. Controlli visivamente l'unità per verificare che non si siano verificati danni durante la spedizione e che tutte le parti standard siano incluse. L'unità di base dovrebbe includere l'unità elettrochirurgica con cavo di alimentazione, un manipolo, 50 punte dermiche appuntite monouso (solo A900), 50 punte dermiche smussate monouso (solo A900) e un kit di montaggio (A837). In caso di discrepanze, rivolgersi ad Aaron al numero +1-727-384-2323.



EU Authorized Representative:  
Peter J. Smith Medical Products Marketing  
18 Yeates Close  
Thame OX9 3AR, UK

## PRECAUZIONI

Per il corretto funzionamento dell'essiccatore ad alta frequenza Aaron, è necessario prendere diverse precauzioni.

.....  
**ATTENZIONE:**

La legge federale degli stati Uniti limita la possibilità di commercializzare questo dispositivo ai soli medici o dietro presentazione di ricetta medica.

.....  
Prestare attenzione nell'utilizzo dell'essiccatore ad alta frequenza Aaron su pazienti con un pacemaker o un innesto metallico.

.....  
La funzionalità di altre apparecchiature elettromagnetiche può subire interferenze a causa dell'utilizzo di corrente ad alta frequenza.

.....  
Se si utilizzano apparecchiature chirurgiche ad alta frequenza e apparecchiature di monitoraggio fisiologico simultaneamente sullo stesso paziente, eventuali elettrodi di monitoraggio vanno posti alla massima distanza possibile dagli elettrodi chirurgici. Gli elettrodi di monitoraggio ad ago non sono consigliati.

.....  
Per evitare la possibilità di ustioni elettrochirurgiche al paziente o al medico, non consentire che il paziente venga a contatto con un oggetto metallico collegato a terra durante l'attivazione. All'attivazione dell'unità, non dovrebbe essere presente alcun contatto cutaneo tra il paziente e il medico. È anche consigliabile la rimozione di eventuali gioielli larghi dal paziente prima dell'attivazione.

.....  
I cavi vanno posizionati in modo tale da evitare il contatto col paziente o con altri cavi. Gli elettrodi di attivi temporaneamente inutilizzati vanno conservati isolati dal paziente.

.....  
Questo è un prodotto non sterile.

.....  
Il sistema non è regolato in base alla tensione dell'alimentazione di rete. In caso di modifica dell'alimentazione di rete di ingresso è necessaria una ricalibrazione.

.....  
Per ridurre il rischio di scossa elettrica, non rimuovere la piastra inverso. Per l'assistenza fare riferimento al personale qualificato.

.....  
**AVVERTENZA:**

Non utilizzare l'essiccatore ad alta frequenza Aaron in presenza di anestetici infiammabili. Potrebbero derivarne incendi.

.....  
Mantenere l'impostazione dell'alimentazione al valore minimo possibile per ottenere l'effetto desiderato.

.....  
Per le procedure chirurgiche in cui la corrente ad alta frequenza potrebbe attraversare parti del corpo con una sezione trasversale relativamente ridotta, potrebbe essere auspicabile l'utilizzo delle tecniche bipolari onde evitare una coagulazione involontaria.

**AVVERTENZA:**

Un'uscita di potenza evidentemente bassa o un apparecchio chirurgico non in grado di operare correttamente con le impostazioni normali di funzionamento potrebbero indicare un'applicazione difettosa dell'elettrodo neutro o un contatto insoddisfacente nelle sue connessioni. Conservare l'unità in luogo fresco e asciutto.

L'affidabilità della messa a terra può essere ottenuta solo quando l'apparecchiatura è collegata ad una presa equivalente etichettata come "solo per ospedale" o "qualità ospedaliera".

## FUNZIONAMENTO DELL'UNITÀ

L'essiccatore ad alta frequenza Aaron produce una corrente in radiofrequenza, che è utile per la rimozione e la distruzione di lesioni superficiali della mucosa e della cute. Questa operazione è eseguita tramite procedure di essiccazione e di folgorazione. L'essiccazione elettrochirurgica si verifica quando l'elettrodo è posto direttamente sulle superficie della lesione. La folgorazione si verifica quando l'elettrodo è posizionato leggermente al di sopra della lesione e un arco viene trasmesso alla lesione. L'unità offre anche un controllo rapido ed efficiente del sanguinamento grazie alla coagulazione dei capillari e di piccoli vasi sanguigni.

Per la maggior parte delle procedure di essiccazione, folgorazione e coagulazione che utilizzano il manipolo standard nell'uscita monopolare, la piastra per il paziente è opzionale. Quando è utilizzata, la piastra per il paziente intensifica le proprietà di coagulazione dell'unità e riduce anche la possibilità di lesioni elettrochirurgiche. L'interruttore a ped-

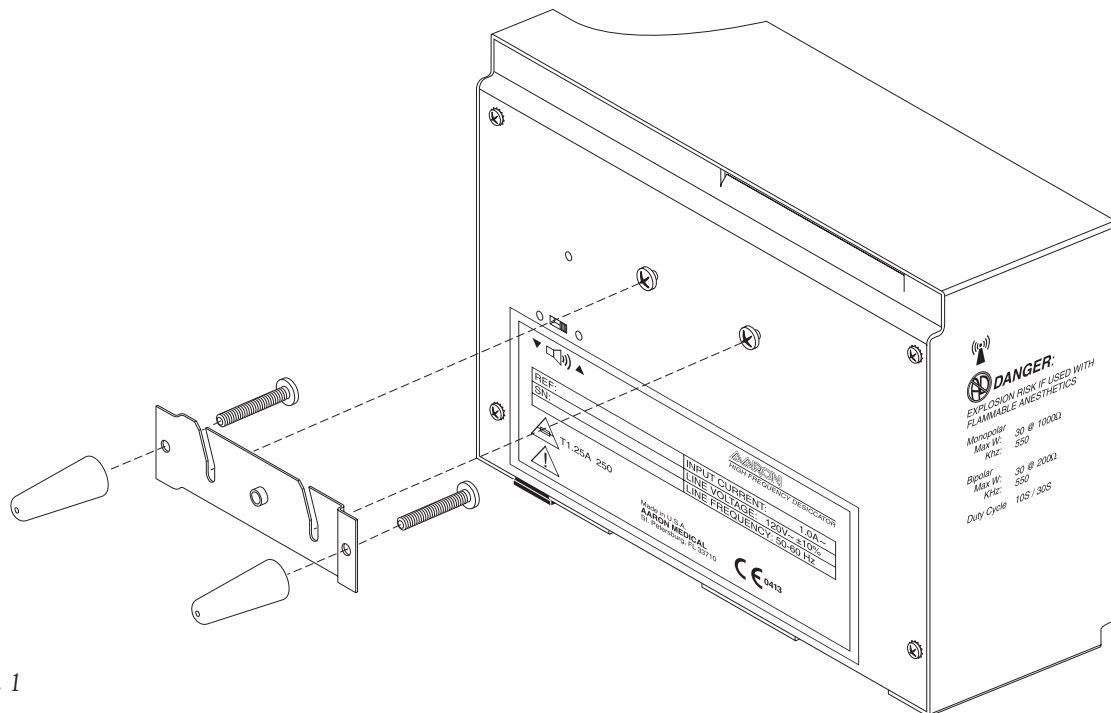


Figura 1

ale opzionale aggiunge versatilità nell'utilizzo del manipolo standard nell'uscita monopolare, in quanto l'interruttore a pedale consente di attivare l'unità tramite il manipolo o l'interruttore a pedale. Sono disponibili uscite bipolari per i medici che preferiscano utilizzare pinze bipolari per l'esecuzione di procedure di coagulazione. È necessario un interruttore a pedale quando si utilizza l'uscita bipolare e non si utilizza la piastra per il paziente. Le procedure eseguite in aree sensibili potrebbero richiedere un anestetico. Non vanno utilizzati anestetici infiammabili.

Se non si conosce a fondo il funzionamento di un'unità elettrochirurgica a bassa energia, è consigliabile fare pratica su un pollo o su una bistecca magra per visualizzare gli effetti a vari livelli di uscita e di alimentazione.

## PROCEDURE DI IMPOSTAZIONE

1. Montare l'essiccatore ad alta frequenza Aaron sulla parete o sul supporto mobile opzionale utilizzando il kit di montaggio standard (vedere figura 1). Non attivare l'unità in posizione orizzontale, in quanto potrebbero essere versati liquidi nell'unità.

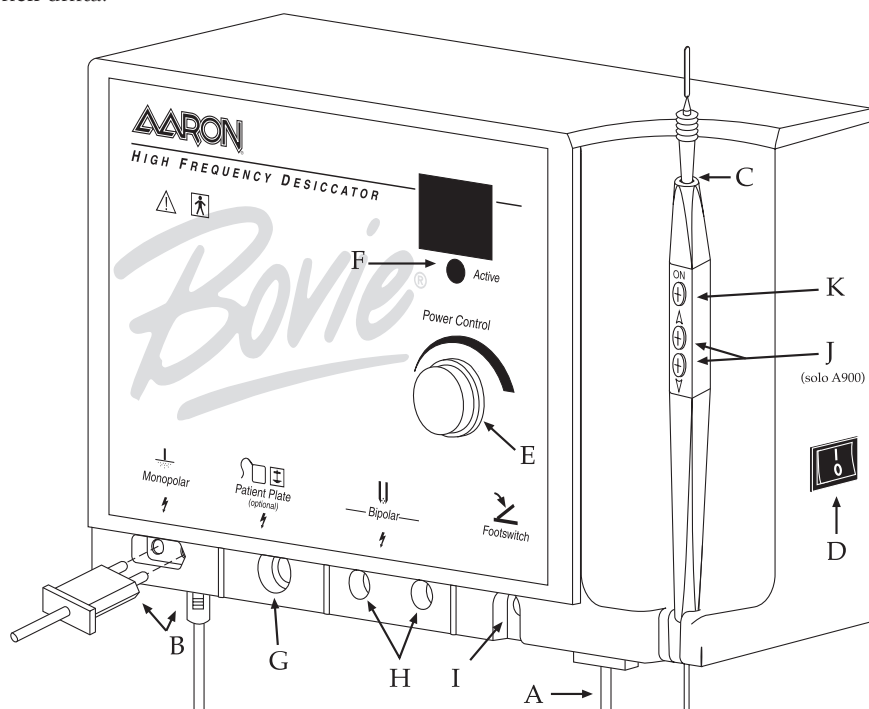


Figura 2

2. Inserire l'estremità femmina del cavo di alimentazione nella base dell'unità (vedere figura 2, lettera A).
3. Inserire l'estremità maschio del cavo di alimentazione in una presa a parete collegata a terra.
4. Inserire il manipolo nell'uscita monopolare in basso a sinistra nella parte anteriore dell'unità (vedere figura 2, lettera B). La spina è progettata in modo da poter essere inserita in una sola direzione. Inserire il connettore rotondo di dimensioni minori dal manipolo (solo A900) nella presa posta sul fondo dell'unità (vedere figura 2, lettera B). Il manipolo a tre pulsanti è progettato per offrire al medico il controllo completo con le dita delle impostazioni dell'uscita dell'alimentazione.
5. Far scivolare l'elettrodo standard nel manipolo fino a quando non sia saldamente alloggiato (vedere figura 2, lettera C). Il manipolo accetta la maggior parte degli elettrodi standard da 3/32" (2 mm).
6. Far scivolare il manipolo dall'alto nella custodia sul lato destro dell'unità.
7. Attivare l'alimentazione dell'unità utilizzando l'interruttore posto sul pannello alla destra dell'unità (vedere figura 2, lettera D).
8. Impostare l'uscita di alimentazione utilizzando il quadrante posto nella parte anteriore dell'unità (vedere figura 2, lettera E) o, solo sull'unità Aaron 900, i pulsanti su e giù sul manipolo (vedere figura 2, lettera J). Quando si esegue la regolazione del livello di alimentazione col manipolo, viene emesso un segnale acustico ad indicare la modifica del livello di alimentazione. Premendo e tenendo premuti i pulsanti su o giù si provoca la variazione delle impostazioni dell'alimentazione con maggiore rapidità per una rapida regolazione delle impostazioni di uscita. L'uscita dell'alimentazione è visualizzata in incrementi di "0,1" watt sotto i 10 watt e in numeri interi da 10 a 30 watt.

**NOTA:**

Non è possibile regolare le impostazioni di uscita durante l'attivazione dell'unità.

9. Per attivare l'unità, rimuovere il manipolo dalla custodia. Porre il manipolo nella posizione desiderata e premere il pulsante di attivazione (vedere figura 2, lettera K). Quando l'unità è attivata, viene emesso un segnale acustico e la luce blu di attivazione si illumina (vedere figura 2, lettera F).

10. Per utilizzare la piastra opzionale di messa a terra col cavo (A802EU), inserire la spina del cavo nell'uscita della piastra di messa a terra (vedere figura 2, lettera G) e collegare l'altra estremità nella piastra di messa a terra. La piastra va posta sotto il paziente, in un punto in cui l'intera piastra sia ricoperta dalla cute nuda. Non utilizzare gel né creme sulla piastra.

11. Per utilizzare il cavo bipolare opzionale (A827EU), inserire le spine nelle uscite bipolari (vedere figura 2, lettera H). Il cavo è quindi inserito nelle prese. Una porta scorrevole dietro le uscite monopolari e bipolari impedisce all'utente il loro uso contemporaneo.

12. L'interruttore a pedale opzionale è inserito nell'uscita dell'interruttore a pedale ed è posto sul pavimento (vedere figura 2, lettera I). L'interruttore a pedale può essere utilizzato con procedure monopolari e deve essere utilizzato con procedure bipolari.

13. Al completamento della procedura, disattivare l'unità utilizzando l'interruttore posto sul pannello alla destra dell'unità.

14. Riporre il manipolo nella custodia sul lato destro dell'unità e rimuovere l'elettrodo. L'elettrodo va gettato dopo ogni procedura. Se il manipolo ha subito una contaminazione, va anche sterilizzato.

15. La regolazione del segnale acustico è ottenuta per mezzo di un interruttore posto sul retro dell'unità (vedere figura 3). Sono disponibili due scelte per il segnale acustico: alto e basso. Per la regolazione è necessario un piccolo cacciavite.

Figura 3



## MANUTENZIONE

L'essiccatore ad alta frequenza Aaron richiede una pulizia periodica. Quando la custodia dell'unità richiede la pulizia, è sufficiente utilizzare una soluzione saponata e strofinare fino a pulire. Prestare attenzione ad evitare l'ingresso di acqua nell'unità attraverso le varie aperture. Asciugare l'unità con un panno pulito e privo di filacce.

## STERILIZZAZIONE

L'essiccatore ad alta frequenza Aaron e gli accessori standard sono forniti non sterili. Il manipolo può essere pulito e sterilizzato. Fare riferimento al foglio delle istruzioni che accompagna l'elettrodo e il manipolo per istruzioni specifiche sulla pulizia e la sterilizzazione. Si consiglia di sterilizzare tutti gli elettrodi e i manipoli contaminati prima dello smaltimento.

---

## ACCESSORI

Gli accessori elencati nel seguito sono accessori originali Aaron®, da utilizzare con l'essiccatore ad alta frequenza Aaron. Gli accessori, le parti di ricambio e gli elementi monouso che non sono elencati vanno utilizzati solo quando ne sia stata verificata l'adeguatezza tecnica e la sicurezza. Sono disponibili altri accessori presso il concessionario locale Aaron. Gli elementi riutilizzabili devono essere controllati per verificare l'assenza di danni prima di ciascuna nuova sterilizzazione. Accessori danneggiati possono causare ustioni accidentali. Accessori consigliati standard

<u>N. di catalogo</u>	<u>Descrizione</u>
A801EU	Manipolo sostituibile (da utilizzare solo con A800EU)
A901	Manipolo sostituibile a 3 pulsanti (da utilizzare solo con A900)
A802EU	Piastra di messa a terra con cavo
A827EU	Cavo bipolare riutilizzabile
A804	Punte dermiche monouso (appuntite)
A806	Punte dermiche monouso (smussate)

## DESCRIZIONE TECNICA

### Connessione di rete

Tensione principale:	110 / 220 V CA
Frequenza principale:	50 - 60 Hertz
Corrente principale:	1,00 A / 800 mA max.
Potenza dissipata:	80 W
Ciclo di lavoro utile:	10 sec acceso / 30 sec spento
Fusibili principali	2 x 1,25 A (a fusione lenta) modello 110 2 x 800 ma (a fusione lenta) modello 220

### Caratteristiche di uscita ad alta frequenza

#### Monopolare

Potenza di uscita:	30 W / 1000 Û
Frequenza di uscita:	550 kHz
Tensione di picco a circuito aperto:	5000 V

Fare riferimento alle figure 5 e 7 per diagrammi che rappresentano le caratteristiche di uscita monopolari.

#### Bipolare

Potenza di uscita	30 W / 200 Û
Frequenza di uscita:	550 kHz
Tensione di picco a circuito aperto:	2100 V

Fare riferimento alle figure 4 e 6 per diagrammi che rappresentano le caratteristiche di uscita bipolari.

### Sicurezza

Struttura di base:	Conforme a EN 60601-1
Modalità di funzionamento:	Funzionamento intermittente
Classe di protezione:	APPARECCHIATURA DI CLASSE I
Tipo di uscita:	TIPO BF

---

### **Dimensioni e peso**

Lunghezza x larghezza x altezza = 22,2 cm x 11,4 cm x 15,9 cm

Peso: 2,3 kg

## **GARANZIA E RIPARAZIONE**

L'essiccatore ad alta frequenza Aaron è coperto da garanzia per la durata di due anni. Il manipolo è coperto da garanzia per il periodo minore tra due anni e 25 cicli di autoclave a vapore. La garanzia è da considerarsi nulla e priva di valore in caso di danni derivanti da trattamento scorretto o uso improprio del prodotto.

Per operazioni di garanzia e di riparazione, rivolgersi ad Aaron e chiedere un numero di autorizzazione alla restituzione della merce (Return Goods Authorization, RGA). Posizionare il numero in modo che possa essere letto all'esterno della confezione e spedire direttamente ad Aaron. Non è possibile accettare una restituzione priva di RGA.

## **RISOLUZIONE DEI PROBLEMI**

Lo Aaron è stato progettato e prodotto avendo presenti i massimi livelli di sicurezza. L'unità è dotata di funzioni in grado di rilevare automaticamente un malfunzionamento. La tabella seguente elenca codici di errore, il relativo significato e le azioni consigliate da prendere per risolvere l'errore.

Codice di errore	Descrizione dell'errore	Azione consigliata
E1	Attivazione all'accensione.	<ul style="list-style-type: none"><li>• Verificare l'attivazione del manipolo</li><li>• Verificare l'attivazione dell'interruttore a pedale; una volta arrestata l'attivazione l'unità risolve l'errore. Se l'errore persiste, è possibile che il manipolo non stia funzionando correttamente e debba essere sostituito.</li></ul>
E2	Rilevamento di una sovrattensione di	<ul style="list-style-type: none"><li>• Spegner e riaccendere l'unità alimentazione CC</li><li>• Accertarsi che l'unità sia collegata alla corretta sorgente di alimentazione per l'unità.</li></ul>
E3	Ampiezza dell'impulso	<ul style="list-style-type: none"><li>• Spegner e riaccendere l'unità</li></ul>
E4	Errore delta	<ul style="list-style-type: none"><li>• Spegner e riaccendere l'unità</li></ul>
E5	Errori multipli	<ul style="list-style-type: none"><li>• Spegner e riaccendere l'unità</li></ul>
E6	Errore di temperatura.	<ul style="list-style-type: none"><li>• Spegner l'unità. Lasciare raffreddare l'unità. Accendere l'unità.</li></ul>

Se i problemi persistono, l'unità va messa fuori servizio e va avvisato il produttore.

Per supporto tecnico o un'autorizzazione alla restituzione, rivolgersi al numero 1-800-537-2790.

## **TRASPORTO E DEPOSITO**

Gamma di temperature ambiente: da -40 °C a 70 °C

Umidità relativa: da 10% a 100%, con non-condensa

Pressione atmosferica: da 500 hPa a 1060

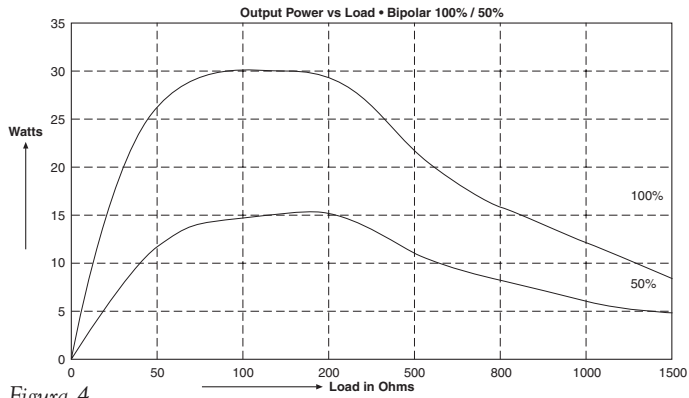


Figura 4

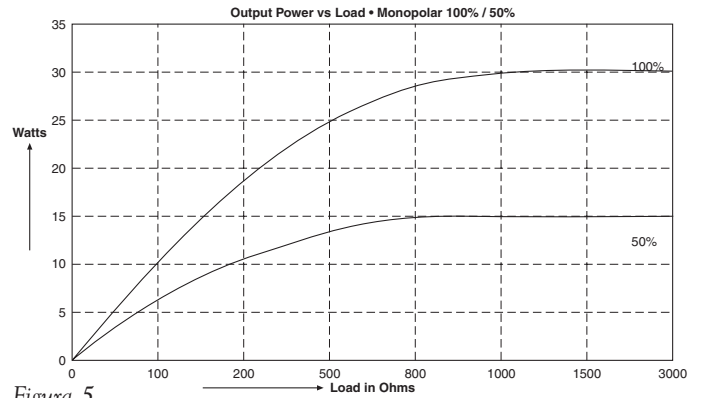


Figura 5

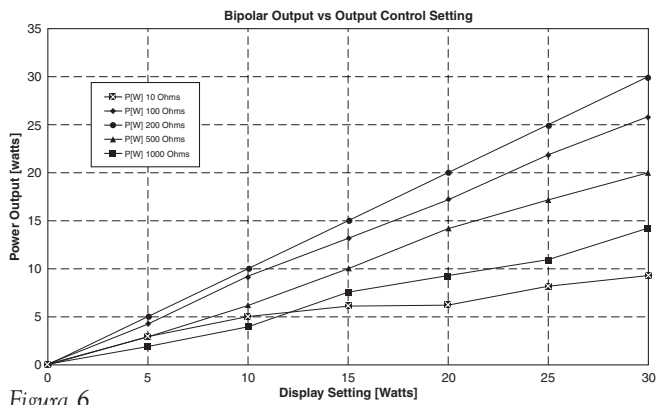


Figura 6

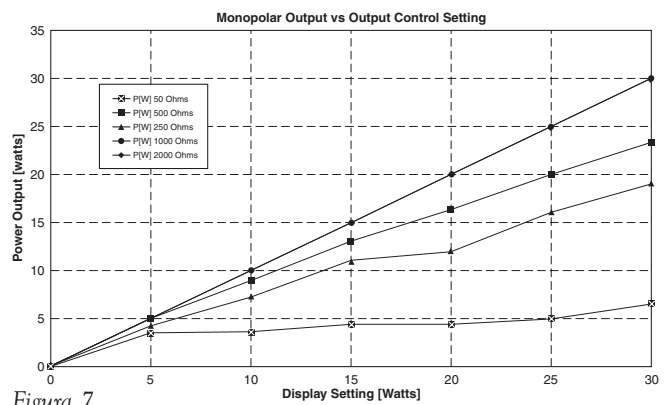


Figura 7

---

## DESCRIZIONE DEI SIMBOLI



Attenzione: Per ridurre il rischio di scossa elettrica, non rimuovere il pannello posteriore. L'assistenza è riservata al personale di assistenza qualificato.



Attenzione: La posizione del jack è una sorgente di tensione pericolosa.



Attenzione: Leggere le istruzioni per l'uso prima dell'utilizzo dell'apparecchiatura.



Acceso (alimentazione: collegamento all'alimentazione di rete).



Spento (alimentazione: scollegamento dall'alimentazione di rete).



Fusibile incluso (un'avvertenza appare accanto al simbolo).



Jack di uscita unipolare (jack del manico di controllo manuale).



Jack di uscita bipolare.



Piastra per il paziente, da utilizzare con le modalità monopolari.



Jack dell'interruttore a pedale, per l'attivazione controllata da pedale di dispositivi monopolari (opzionali) e bipolari.



Apparecchiatura di tipo BF.



Radiazione non ionizzante.



Elettrodo neutro con riferimento alla massa.



▼  ▲ Regolazione del volume.



Rischio di esplosione se utilizzato con anestetici infiammabili.



**Bovie**

**AARON 800™-EU/900™**

**HIGH FREQUENCY DESICCATOR**



**AARON 800™ - EU**



**AARON 900™**

## **GUÍA DEL USUARIO**

---

## **ÍNDICE DE MATERIAS**

Introducción .....	43
Precauciones.....	43
Operación de la unidad.....	44
Procedimientos de instalación.....	45
Mantenimiento .....	46
Esterilización .....	46
Accesorios.....	47
Descripción técnica.....	47
Garantía y reparación .....	48
Solución de problemas .....	48
Transporte y almacenamiento .....	48
Gráficas .....	49
Tecla de símbolos.....	50

---

## INTRODUCCIÓN

Gracias por su compra del producto Aaron High Frequency Desiccator (desecador de alta frecuencia de Aaron). Le rogamos que compruebe visualmente la unidad para asegurarse de que no haya sufrido daños durante el transporte y que todos los elementos estándar estén incluidos. La unidad básica debe incluir la unidad electroquirúrgica con su cable de alimentación, un aplicador, 50 bastoncillos dérmicos desechables (solamente en el A900), y un kit de montaje (A837). Si hay alguna discrepancia, le rogamos se ponga en contacto con Aaron en el teléfono +1-727-384-2323.



EU Authorized Representative:  
Peter J. Smith Medical Products Marketing  
18 Yeates Close  
Thame OX9 3AR, UK

## PRECAUCIONES

Para operar con seguridad el desecador de alta frecuencia Aaron, se deben tomar varias precauciones.

.....  
**ADVERTENCIA:**

La ley federal (EE.UU.) establece restricciones en la venta de este aparato; sólo se puede vender a médicos o por petición de éstos.

.....  
Tenga precaución al utilizar el desecador de alta frecuencia Aaron en pacientes que usen marcapasos o que tengan piezas metálicas implantadas.

.....  
Al utilizar corriente de alta frecuencia se puede interferir el funcionamiento de otros equipos electromagnéticos.

.....  
Cuanto se utilice simultáneamente en el mismo paciente equipo quirúrgico de alta frecuencia y equipo de supervisión o control fisiológico, los electrodos del equipo de control deben colocarse tan lejos como sea posible de los electrodos del equipo quirúrgico. No se recomienda el uso de electrodos de control por medio de agujas.

.....  
Para evitar la posibilidad de que el paciente o el médico se produzcan quemaduras a causa del equipo electroquirúrgico, no permita que el paciente toque ningún objeto metálico conectado a tierra, durante el tiempo que el equipo esté activo. Cuando esté activando la unidad, no debe haber contacto físico directo (de piel) entre el paciente y el doctor. También es aconsejable que el paciente se quite cualquier pieza de joyería floja o colgante, antes de la activación.

.....  
Los cables se deben colocar de tal modo que se evite el contacto de éstos con el paciente o con otros cables. Los electrodos activos que estén temporalmente inutilizados, deben ser guardados lejos del alcance del paciente.

.....  
Éste es un producto no esterilizado.

.....  
Este sistema no tiene regulación del voltaje que recibe de la red eléctrica. Si el voltaje de entrada proveniente de la red eléctrica cambia, el sistema tendrá que ser recalibrado.

.....  
Para reducir el riesgo de descarga eléctrica, no quite la placa de atrás. Cualquier trabajo de reparación o mantenimiento debe ser referido a personal cualificado.

.....  
**AVISO:**

No utilice el desecador de alta frecuencia Aaron en presencia de anestésicos inflamables. Podría resultar en incendio.

.....  
Mantenga la alimentación eléctrica regulada tan baja como sea posible para lograr el efecto deseado.

.....  
En procedimientos quirúrgicos donde la corriente de alta frecuencia podría fluir a través de partes del cuerpo humano de relativamente poco grosor (pequeña dimensión transversal), puede ser aconsejable el uso de técnicas bipolares para evitar coagulación indeseada.  
.....

**AVISO:**

La salida de corriente aparentemente baja o la incapacidad del equipo quirúrgico de funcionar correctamente con los ajustes de operación normales, pueden indicar que existe una aplicación defectuosa del electrodo neutro o un mal contacto en sus conexiones. Guarde la unidad en un lugar frío y seco.

Sólo se puede garantizar una conexión a tierra fiable cuando el equipo está conectado a un tomacorriente o enchufe equivalente, que esté marcado "para uso de hospital solamente" o "calidad exclusiva de hospital".

## FUNCIONAMIENTO DE LA UNIDAD

El desecador de alta frecuencia Aaron produce corriente de radiofrecuencia, la cual es útil en la eliminación y destrucción de lesiones cutáneas superficiales y lesiones en membranas mucosas. Ello se hace por medio de procedimientos de desecación y electroterapia. La desecación electroquirúrgica se produce cuando el electrodo es colocado directamente sobre la superficie de la lesión. La fulguración ocurre cuando se mantiene el electrodo ligeramente por encima de la lesión y se aplica un arco eléctrico sobre la zona lesionada. La unidad también permite un control eficiente y rápido del sangrado y hemorragias, coagulando los capilares y vasos sanguíneos pequeños.

La placa del paciente es opcional para la mayoría de procedimientos de desecación, fulguración y coagulación que utilizan el aplicador estándar en salida monopolar. Cuando se utiliza, la placa del paciente intensificará las propiedades de coagulación de la unidad y también disminuirá la posibilidad de una quemadura electroquirúrgica. El interruptor de pie opcional añade versatilidad cuando se utiliza el aplicador estándar en la salida monopolar, ya

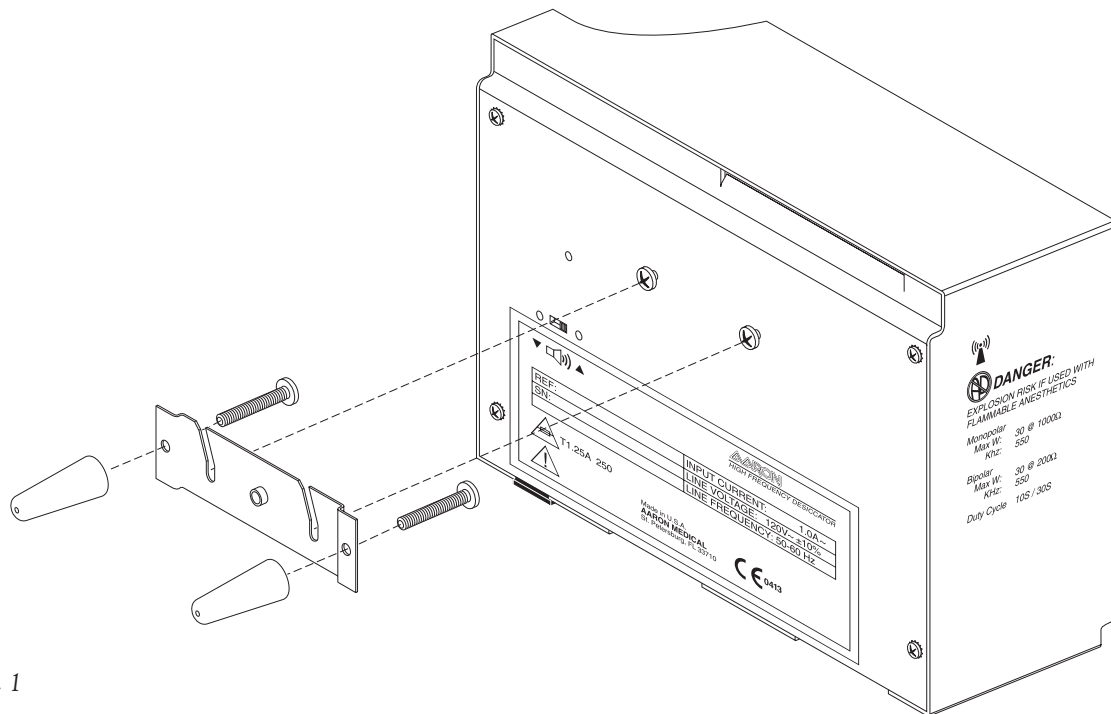


Figura 1

que el interruptor de pie le permitirá activar la unidad por medio del aplicador o bien utilizando el propio interruptor de pie. Las salidas bipolares están disponibles para aquellos médicos que prefieran utilizar fórceps bipolares en los procedimientos de coagulación. Es necesario un interruptor de pie cuando se utilice una salida bipolar y no se use la placa del paciente. Los procedimientos aplicados sobre zonas sensibles pueden requerir el uso de un anestésico. No se deben usar anestésicos inflamables.

Si no está familiarizado con el funcionamiento de una unidad electroquirúrgica de baja intensidad eléctrica, es aconsejable que practique primero con carne de pollo o un filete magro para visualizar así los efectos que se producen al utilizar diferentes niveles de corriente de salida y voltaje.

## PROCEDIMIENTOS DE INSTALACIÓN

1. Monte el desecador de alta frecuencia Aaron en la pared o en el soporte móvil opcional, utilizando el kit de ensamblaje estándar (vea la figura 1). No manipule la unidad en la posición horizontal; de lo contrario se podrán derramar líquidos sobre ella.

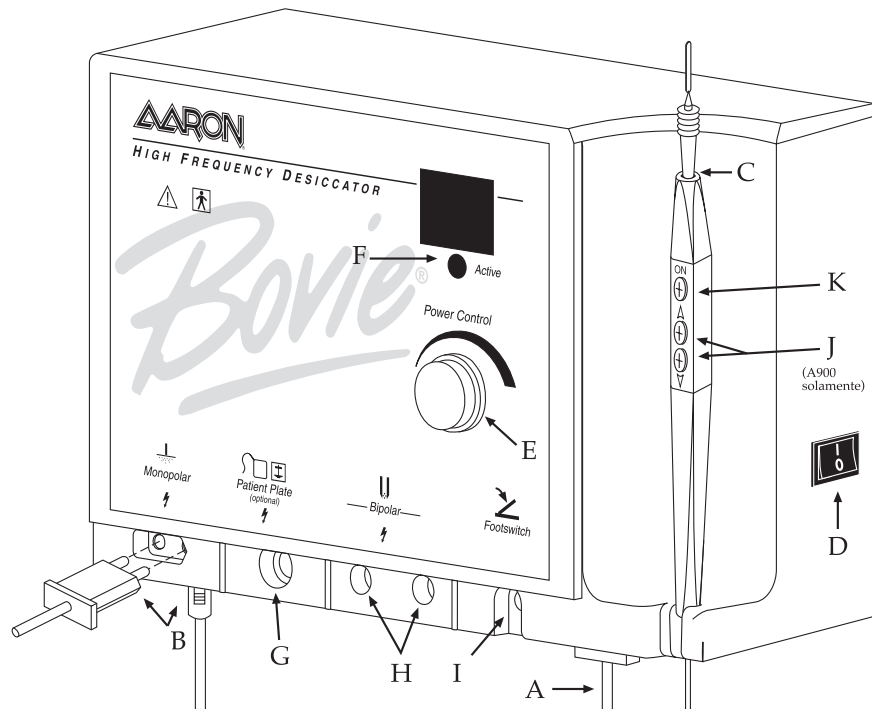


Figura 2

2. Conecte el enchufe hembra del cable de alimentación en la base de la unidad (vea la figura 2, letra A).
3. Conecte la clavija macho del cable de alimentación en un enchufe de pared que tenga conexión a tierra.
4. Conecte el aplicador a la salida monopolar de la parte inferior izquierda del frente de la unidad (vea la figura 2, letra B). El enchufe está diseñado para que la conexión encaje solamente en una dirección. Enchufe el pequeño conector redondo del aplicador (A900 solamente) en la conexión que se encuentra en la parte más inferior de la unidad (observe la figura 2, letra B). El aplicador de tres botones está diseñado para facilitar al doctor el control total inmediato en los ajustes de la potencia eléctrica de salida.
5. Deslice el electrodo estándar en el interior del aplicador hasta que esté firmemente asentado (observe la figura 2, letra C). El aplicador admite la mayoría de los electrodos estándar de 3/32 de pulgada.
6. Deslice el aplicador desde arriba hasta encajarlo en el soporte del lado derecho de la unidad.
7. Encienda la unidad, utilizando el interruptor que se encuentra en el panel del lado derecho de ésta (vea la figura 2, letra D).
8. Establezca la potencia de salida, ya sea utilizando el dial que se encuentra en la parte frontal de la unidad (vea la figura 2, letra E) o, en el caso de la unidad Aaron 900, utilizando solamente los botones de arriba y abajo que se encuentran en el aplicador (vea la figura 2, letra J). Cuando se esté ajustando el nivel de salida de corriente por medio del aplicador, sonará un tono audible para indicar que se ha cambiado el nivel de corriente. Soltando y presionando los botones de arriba y abajo se conseguirá que los ajustes de corriente cambien con más rapidez para un ajuste rápido de los parámetros de salida. La salida de corriente se muestra en incrementos de 0,1 vatios, por debajo de los 10 vatios, y en incrementos de números enteros cuando la escala es entre 10 y 30 vatios.

**NOTA:**

*Los parámetros de salida no se pueden ajustar cuando se está activando la unidad.*

9. Para activar la unidad, quite el aplicador de su soporte. Coloque el aplicador en la posición deseada y suelte el botón de activación (consulte la figura 2, letra K). Cuando la unidad esté activada, sonará un tono audible y se iluminará la luz azul (vea la figura 2, letra F).

10. Para usar la placa de conexión a tierra opcional con el cable (A802EU), inserte el enchufe del cable en la salida de la placa de conexión a tierra (observe la figura 2, letra G) y conecte el otro extremo en la placa de conexión a tierra. La placa debe ser colocada debajo del paciente de forma que la placa entera esté cubierta por la piel desnuda del paciente. No aplique ningún tipo de gel ni cremas sobre la placa.

11. Para usar el cable bipolar opcional (A827EU), inserte las clavijas en las salidas bipolares (observe la figura 2, letra H). El cable es enchufado entonces en los fórceps. Una puerta deslizante detrás de las salidas monopolar y bipolar impide que el usuario utilice ambas simultáneamente.

12. El interruptor de pie opcional es enchufado en la salida diseñada para éste y colocado sobre el suelo (vea la figura 2, letra I). El interruptor de pie puede ser utilizado con procedimientos monopolares y debe ser utilizado con procedimientos bipolares.

13. Cuando se complete el procedimiento, apague la unidad utilizando el interruptor que se encuentra en el panel derecho de ésta.

14. Vuelva a colocar el aplicador en su soporte, en el lado derecho de la unidad, y quite el electrodo. Se debe eliminar el electrodo después de cada procedimiento. Si al aplicador resultara contaminado, se deberá esterilizar.

15. El ajuste del tono audible se realiza por medio de un conmutador localizado en la parte posterior de la unidad (vea la figura 3). Podrá seleccionar dos tipos de tono, alto y bajo. Para realizar el ajuste será necesario un pequeño destornillador.

Figura 3



## MANTENIMIENTO

El desecador de alta frecuencia Aaron debe ser limpiado periódicamente. Cuando la carcasa de la unidad necesite limpieza, utilice simplemente una solución de agua y jabón y límpiela pasándole un trapo. Tenga cuidado de evitar que entre agua en la unidad a través de las diversas aberturas. Seque la unidad con un paño limpio, seco y sin pelusa.

## ESTERILIZACIÓN

Tanto el desecador de alta frecuencia Aaron como sus accesorios se proporcionan esterilizados. El aplicador se puede limpiar y esterilizar. Consulte la hoja de instrucciones que acompaña al electrodo y aplicador para conocer las instrucciones específicas de limpieza y esterilización. Recomendamos que todos los electrodos y aplicadores contaminados sean esterilizados antes de ser descartados o arrojados a la basura.

---

## ACCESORIOS

Los accesorios que se listan a continuación son originales de Aaron®, para usarse con el desecador de alta frecuencia Aaron. Accesorios, piezas de recambio y elementos desechables que no estén en la lista, solamente deberían ser usados después de que se haya verificado que son seguros y técnicamente adecuados. Existen accesorios adicionales, disponibles a través de su distribuidor local de Aaron. Los elementos reutilizables deben ser examinados antes de volver a ser esterilizados, para asegurarse de que no estén dañados. Los accesorios dañados podrían causar quemaduras accidentales. Accesorios estándar recomendados

<u>Catálogo #</u>	<u>Descripción</u>
A801EU	Aplicador recambiable (para uso con el A800EU solamente)
A901	Aplicador recambiable de 3 botones (para uso con el A900 solamente)
A802EU	Placa de conexión a tierra con cable
A827EU	Cable bipolar reutilizable
A804	Bastoncillos dérmicos desechables (de punta fina)
A806	Bastoncillos dérmicos desechables (de punta roma)

## DESCRIPCIÓN TÉCNICA

### Conexión a la red eléctrica

Voltaje principal:	110 / 220 VAC
Frecuencia principal:	50 - 60 Hertzios
Corriente principal:	1,00A / 800 mA Max.
Consumo eléctrico:	80 W
Ciclo de trabajo:	10 segundos activado y 30 segundos desactivado
Fusibles principales	2 x 1,25A (de fusión lenta) modelo 110 2 x 800ma (de fusión lenta) modelo 220

### HF Características de salida

#### Monopolar

Potencia de salida:	30 W / 1000Ω
Frecuencia de salida:	550 kHz
Voltaje máximo del circuito abierto:	5000 V

Consulte las figuras 5 y 7 para ver los diagramas que muestran características de salida monopolares.

#### Bipolar

Potencia de salida	30 W / 200Ω
Frecuencia de salida:	550 kHz
Voltaje máximo del circuito abierto:	2100 V

Consulte las figuras 4 y 6 para ver los diagramas que muestran características de salida bipolares.

### Seguridad

Construcción básica:	De acuerdo con la normativa EN 60601-1
Modo de operación:	Operación intermitente
Clase de protección:	EQUIPO DE CLASE I
Tipo de salida:	TIPO BF

---

### **Dimensiones y peso del**

Longitud x Anchura x Altura = 9" x 4,5" x 6,3"

Peso: 5 libras.

## **GARANTÍA Y REPARACIÓN**

El desecador de alta frecuencia Aaron está cubierta por garantía durante un periodo de un año. El aplicador tiene una garantía de dos años o 25 ciclos de autoclave con vapor; de ambos, el periodo que se complete antes. La garantía se volverá nula y será invalida si ocurriera algún daño debido a un manejo incorrecto o mal uso del producto.

Para informarse sobre asuntos relacionados con la garantía y el trabajo de mantenimiento, póngase en contacto con Aaron y obtenga un número de autorización para la devolución de productos (RGA). Coloque el número de modo visible en el exterior del paquete y envíelo directamente a Aaron. Sin número RGA es posible que su devolución no sea aceptada.

## **SOLUCIÓN DE PROBLEMAS**

El desecador de alta frecuencia Aaron ha sido diseñado y fabricado teniendo en cuenta la más absoluta seguridad. La unidad está equipada para detectar automáticamente anomalías. La tabla siguiente lista los códigos de errores, su significado y las acciones recomendadas que se deben tomar para resolver el error.

Código de error	Descripción del error	Acción recomendada
E1	Activación en el momento del encendido.	<ul style="list-style-type: none"><li>• Compruebe si el aplicador está activado</li><li>• Compruebe si el interruptor de pie está activado; una vez que la activación se detenga, la unidad solucionará el error. Si el error persiste, es posible que el aplicador esté defectuoso y tenga que ser reemplazado.</li></ul>
E2	Sobrevoltaje del suministro de corriente continua	<ul style="list-style-type: none"><li>• Apague la unidad y enciéndala de nuevo</li><li>• Detección</li><li>• Asegúrese de que la unidad está conectada a la fuente de alimentación correcta, destinada para ella.</li></ul>
E3	Anchura del impulso eléctrico	<ul style="list-style-type: none"><li>• Apague la unidad y enciéndala de nuevo</li></ul>
E4	Error en la fase delta	<ul style="list-style-type: none"><li>• Apague la unidad y enciéndala de nuevo</li></ul>
E5	Errores múltiples	<ul style="list-style-type: none"><li>• Apague la unidad y enciéndala de nuevo</li></ul>
E6	Error de temperatura	<ul style="list-style-type: none"><li>• Apague la unidad. Deje que la unidad se enfríe. Encienda la unidad.</li></ul>

Si los problemas persisten, se debería poner fuera de servicio la unidad y notificar el problema al fabricante. Para asistencia técnica o autorización para devolver el producto, llame al teléfono 1-800-537-2790.

## **TRANSPORTE Y ALMACENAMIENTO**

Rango de temperatura ambiental: -40°C a 70°C

Humedad relativa: 10% a 100%, non-condensándose

Presión atmosférica: 500hPa a 106



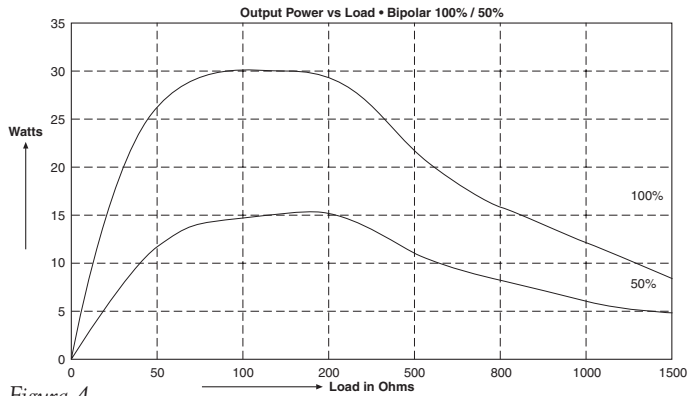


Figura 4

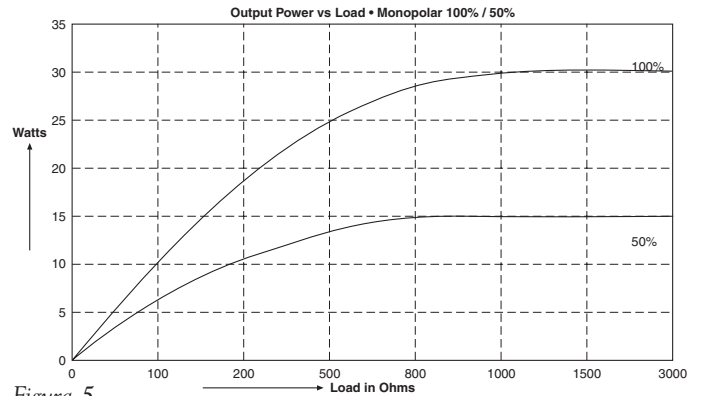


Figura 5

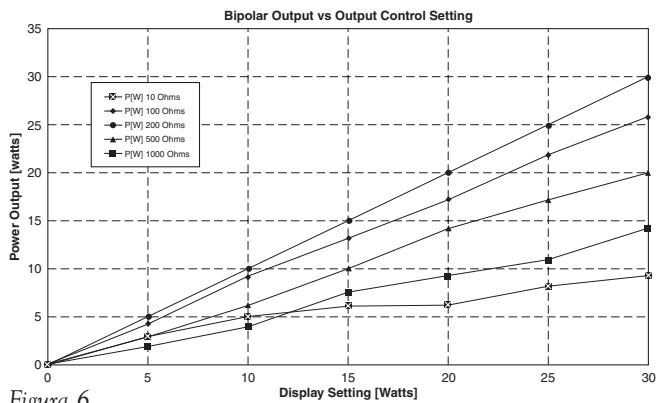


Figura 6

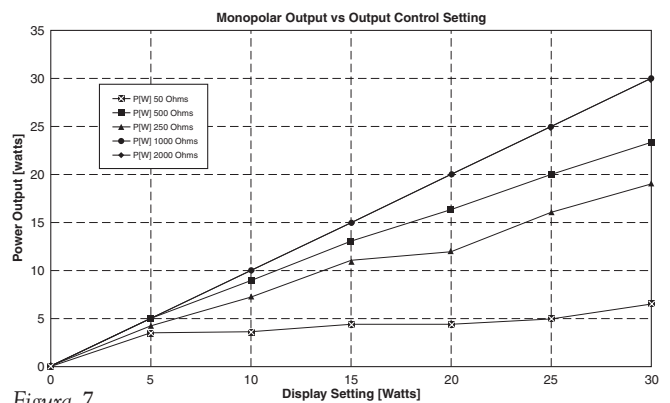


Figura 7

---

## DESCRIPCIÓN DE SÍMBOLOS



Advertencia: Para reducir el riesgo de descarga eléctrica, no quite el panel trasero. Refiera todos los trabajos de reparación y mantenimiento a personal cualificado.



Advertencia: La ubicación del enchufe es una fuente de voltaje peligroso.



Advertencia: Lea las instrucciones de uso antes de utilizar el equipo.



On (alimentación eléctrica: conexión a la red eléctrica).



Off (alimentación eléctrica: desconexión de la red eléctrica).



Fusible incluido (el aviso aparece junto al símbolo).



Enchufe de salida monopolar (para el cilindro en forma de lápiz, de control manual).



Enchufe de salida bipolar.



Placa del paciente, para uso en modos monopolares.



Enchufe del interruptor de pie, para la activación controlada a pie de dispositivos bipolares y monopolares (opcional).



Equipo de tipo BF.



Radiación no ionizante.



Electrodo neutro remitido a conexión a tierra.



▼ Control de volumen.



Existe el riesgo de explosión si se utiliza con productos anestésicos inflamables.

**Bovie**

**AARON 800™-EU/900™**

**HIGH FREQUENCY DESICCATOR**



**AARON 800™ - EU**



**AARON 900™**

## **GUIA DO UTILIZADOR**

---

## **ÍNDICE**

Introdução .....	53
Precauções .....	53
Funcionamento da Unidade .....	54
Procedimentos de Instalação .....	55
Manutenção .....	56
Esterilização.....	56
Acessórios.....	57
Descrição Técnica .....	57
Garantia e Reparação .....	58
Resolução de Problemas .....	58
Transporte e Armazenamento .....	58
Gráficos.....	59
Explicação dos Símbolos .....	60

---

## INTRODUÇÃO

Os nossos agradecimentos pela sua aquisição do Dessecador de Alta-Frequência Aaron. É favor inspeccionar visualmente a unidade para se certificar que não ocorreram danos durante o transporte e que todos os itens standard estão incluídos na embalagem. A unidade base deverá incluir a unidade electrocirúrgica com cabo de alimentação, uma peça de mão, 50 pontas dérmicas descartáveis pontiagudas (apenas A900), 50 pontas dérmicas descartáveis rombas (apenas A900) e um kit de montagem (A837). Se houver qualquer discrepância, é favor contactar a Aaron através do telefone +1-727-384-2323.



EU Authorized Representative:  
Peter J. Smith Medical Products Marketing  
18 Yeates Close  
Thame OX9 3AR, UK

## PRECAUÇÕES

Para funcionar correctamente com o Dessecador de Alta-Frequência Aaron, é necessário seguir várias precauções.

.....  
**ATENÇÃO:**

A Lei Federal (EUA) apenas permite a venda deste dispositivo a médicos ou sob sua responsabilidade.

.....  
Tomar cuidado quando se utilizar o Dessecador de Alta-Frequência Aaron em pacientes que tenham um pacemaker ou implante de metal.

.....  
A utilização de corrente de alta-frequência pode interferir com o funcionamento de outros equipamentos electromagnéticos.

.....  
Quando forem utilizados simultaneamente no mesmo paciente equipamentos cirúrgicos de alta-frequência e equipamentos de monitorização fisiológica, quaisquer eléctrodos de monitorização deverão ser colocados o mais distante possível em relação aos eléctrodos cirúrgicos. Não é recomendada a utilização de eléctrodos de monitorização da agulha.

.....  
Para evitar a possibilidade de uma queimadura electrocirúrgica para o paciente ou para o médico, não permitir que o paciente entre em contacto com um objecto metálico com ligação à terra durante a activação. Ao activar a unidade, não deverá ocorrer qualquer contacto directo entre a pele do paciente e a do médico. É igualmente recomendado que se retirem quaisquer jóias soltas do paciente antes da activação.

.....  
Os cabos devem ser posicionados de forma a evitar o contacto com o paciente ou com outros terminais. Os eléctrodos activos temporariamente não utilizados deverão ser guardados isolados do paciente.

.....  
Este produto é fornecido não esterilizado.

.....  
O sistema não está regulado para a tensão da rede eléctrica principal. É necessária recalibração se a tensão de entrada da rede eléctrica principal for alterada.

.....  
Para reduzir o risco de choque eléctrico, não remover a placa due atrás. A assistência terá que ser feita por pessoal qualificado.

.....  
**AVISO:**

Não utilizar o Dessecador de Alta-Frequência Aaron na presença de anestésicos inflamáveis. Caso contrário, poderá resultar em incêndio.

.....  
Manter a definição de voltagem o mais baixo possível para obter o efeito pretendido.

.....  
Para procedimentos cirúrgicos nos quais a corrente de alta-frequência possa fluir através de partes do corpo que possuam uma área transversal relativamente pequena, pode ser aconselhável a utilização de técnicas bipolares, de modo a evitar coagulação indesejada.

**AVISO:**

Uma saída de corrente aparentemente baixa ou uma falha do equipamento cirúrgico em funcionar correctamente sob as definições de funcionamento normal poderá indicar uma aplicação errada do eléctrodo neutro ou um contacto deficiente nas respectivas ligações.

Guardar a unidade num local fresco e seco.

A fiabilidade em termos de ligação à terra só será garantida se o equipamento estiver ligado a uma tomada equivalente assinalada com as palavras "Hospital Only" (apenas para utilização hospitalar) ou "Hospital Grade" (grau hospitalar).

## FUNCIÓNAMENTO DA UNIDADE

O Dessecador de Alta-Frequência Aaron produz uma corrente de radiofrequência útil para a remoção e destruição de lesões superficiais na pele e mucosas. Isto é conseguido através da realização de procedimentos de dessecação e fulguração. A dessecação electrocirúrgica ocorre quando o eléctrodo é colocado directamente sobre a superfície da lesão. A fulguração ocorre quando o eléctrodo é mantido ligeiramente afastado por cima da lesão, sendo emitido um arco para a lesão. A unidade permite igualmente um controle de hemorragias rápido e eficaz através da coagulação dos vasos capilares e vasos sanguíneos de pequenas dimensões.

Para a maioria dos procedimentos de dessecação, fulguração e coagulação nos quais se utilizam peças de mão standard no modo de saída monopolar, a placa do paciente é opcional. Quando utilizada, a placa do paciente intensificará as propriedades de coagulação da unidade e diminuirá igualmente a possibilidade de ocorrência de queimadura electrocirúrgica. O pedal opcional confere versatilidade quando se utiliza a peça de mão standard no modo de saída monopolar, uma vez que o pedal permite activar a unidade quer através da peça de mão, quer através do pedal. Os

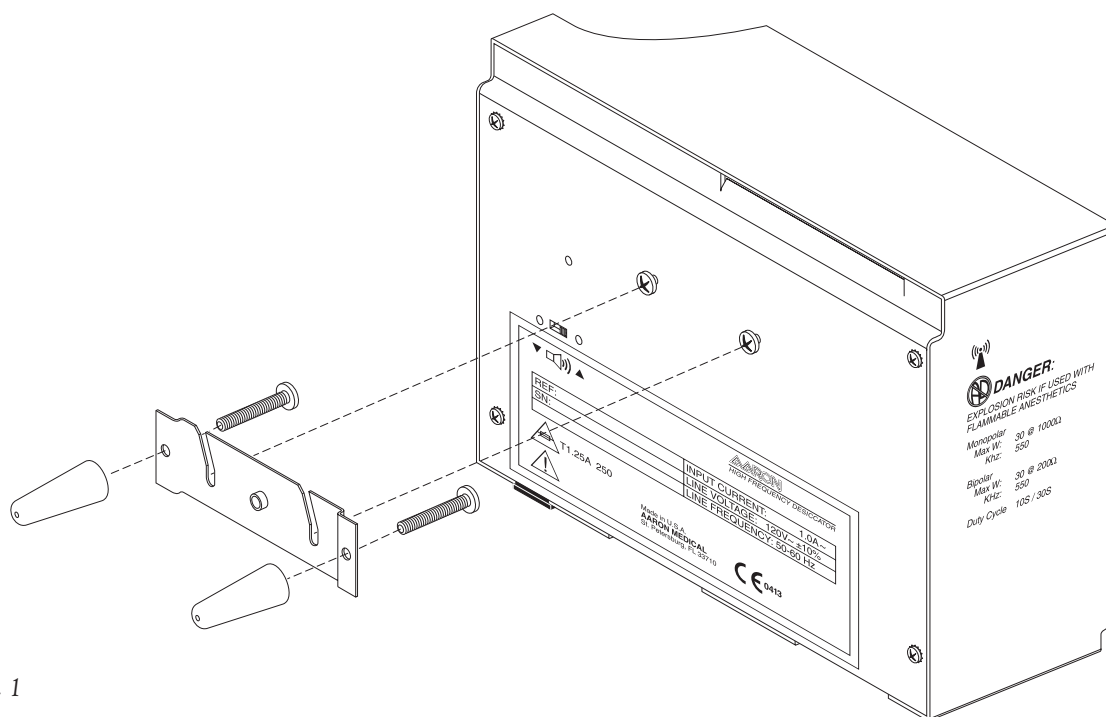


Figura 1

modos de saída bipolar encontram-se disponíveis para os médicos que preferam utilizar fórceps bipolar para realizar procedimentos de coagulação. É necessário um pedal quando se utiliza o modo de saída bipolar e a placa de paciente não é utilizada. Os procedimentos realizados em áreas sensíveis poderão necessitar de um anestésico. Não deverão ser utilizados anestésicos inflamáveis.

Se não estiver familiarizado com o funcionamento de uma unidade electrocirúrgica de baixa potência, é aconselhável que pratique primeiro com carne de galinha ou bife da ilharga magro para visualizar os efeitos produzidos por vários modos de saída e vários níveis de potência.

## PROCEDIMENTOS DE INSTALAÇÃO

1. Montar o Dessecador de Alta-Frequência Aaron na parede ou no suporte móvel opcional, utilizando o kit de montagem padrão (ver Figura 1). Não colocar a unidade a funcionar na posição horizontal, uma vez que poderão ser derramados líquidos para a unidade.

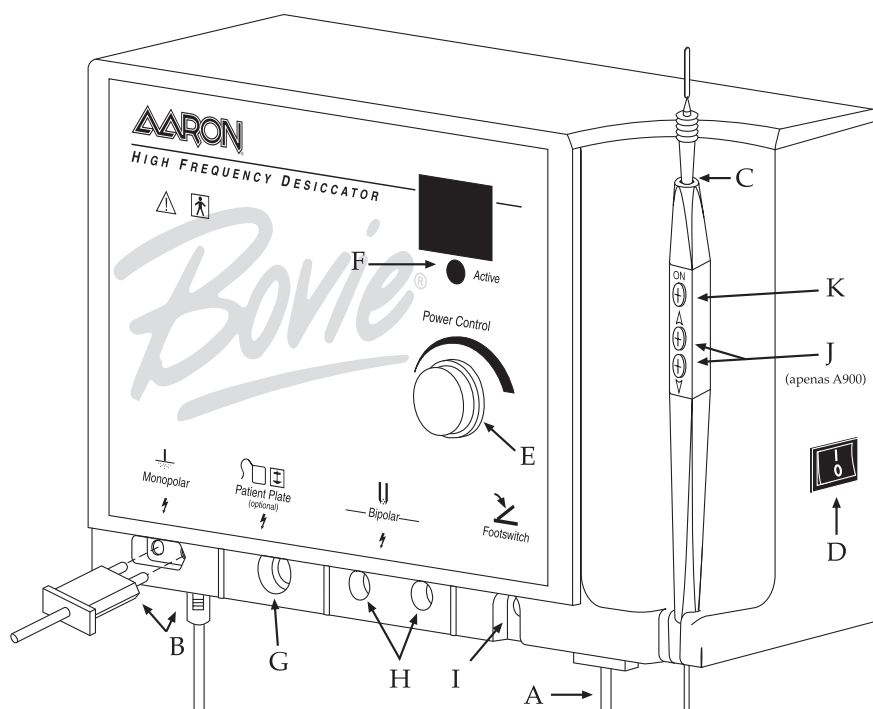


Figura 2

2. Encaixar a extremidade fêmea do cabo de alimentação na base da unidade (ver Figura 2, letra A).
3. Encaixar a extremidade macho do cabo de alimentação numa tomada de parede protegida com ligação à terra.
4. Ligar a ficha da peça de mão à saída monopolar situada no canto inferior esquerdo na parte frontal da unidade (ver Figura 2, letra B). A ficha está concebida para encaixar apenas numa direcção. Encaixar o conector redondo mais pequeno da peça de mão na tomada situada na base da unidade (ver Figura 2, letra B). A peça de mão de três botões está concebida para proporcionar ao médico o total controlo, na ponta dos dedos, sobre as definições de saída de energia.
5. Fazer deslizar o eléctrodo standard para dentro da peça de mão, até que fique firmemente encaixado (ver Figura 2, letra C). A peça de mão aceitará a maioria dos eléctrodos standard de 3/32".
6. Fazer deslizar a peça de mão a partir de cima para dentro do suporte existente no lado direito da unidade.
7. Ligar a alimentação da unidade, utilizando o interruptor situado no painel lateral direito da unidade (ver Figura 2, letra D).
8. Definir a potência de saída utilizando o botão na parte frontal da unidade (ver Figura 2, letra E) ou, apenas para a unidade Aaron 900, utilizando os botões com as setas para cima e para baixo existentes na peça de mão (ver Figura 2, letra J). Quando estiver a ser efectuada a regulação do nível de potência através da peça de mão, ouvir-se-á um sinal sonoro de aviso para indicar que o nível de potência foi alterado. Premir e manter premidos os botões com as setas para cima e para baixo fará com que as definições de potência mudem mais depressa, para uma rápida regulação das definições de potência. A potência de saída é apresentada em incrementos de "0,1" watt abaixo de 10 watts e em números inteiros de 10 a 30 watts.

**NOTA:**

*As definições de saída não podem ser reguladas enquanto a unidade estiver a ser activada.*

9. Para activar a unidade, retirar a peça de mão do respectivo suporte. Colocar a peça de mão na posição desejada e premir o botão de activação (ver Figura 2, letra K). Quando a unidade estiver activada, ouvir-se-á um sinal sonoro de aviso e a luz azul indicadora de activação iluminar-se-á (ver Figura 2, letra F).

10. Para utilizar a placa de protecção à terra opcional com cabo (A802EU), inserir a ficha do cabo na saída para placa de protecção à terra (ver Figura 2, letra G) e encaixar a outra extremidade na placa de protecção à terra. A placa deverá ser colocada por baixo do paciente de forma a que toda a placa fique coberta por pele nua. Não utilizar géis ou cremes na placa.

11. Para utilizar o cabo bipolar opcional (A827EU), inserir as fichas nas saídas bipolares (ver Figura 2, letra H). O cabo é então ligado ao fórceps (A820-A826). Uma porta deslizante por trás das saídas monopolar e bipolar impede que o utilizador utilize ambas as saídas simultaneamente.

12. O pedal opcional é ligado na saída para pedal e colocado no chão (ver Figura 2, letra I). O pedal pode ser utilizado em procedimentos monopolares e tem que ser utilizado em procedimentos bipolares.

13. Quando o procedimento estiver concluído, desligar a unidade, utilizando o interruptor situado no painel lateral direito da unidade.

14. Colocar novamente a peça de mão no suporte existente no lado direito da unidade e remover o eléctrodo. O eléctrodo deverá ser descartado após cada procedimento. Se tiver ocorrido contaminação da peça de mão, esta deverá ser também esterilizada.

15. A regulação do sinal sonoro de aviso é efectuada por meio de um interruptor localizado na parte traseira da unidade (ver Figura 3). Encontram-se disponíveis duas opções de volume de som: alto ou baixo. Será necessária uma pequena chave de parafusos para efectuar esta regulação.

Figura 3



## MANUTENÇÃO

O Dessecador de Alta-Frequência Aaron necessita de limpeza periódica. Quando a parte exterior da unidade necessitar de limpeza, utilizar simplesmente uma solução de água e detergente e limpar com um pano. Ter cuidado para não deixar entrar água na unidade através das suas várias aberturas. Secar a unidade com um pano limpo e sem fiapos.

## ESTERILIZAÇÃO

O Dessecador de Alta-Frequência Aaron e acessórios standard são fornecidos não esterilizados. A peça de mão poder ser limpa e esterilizada. Consultar o folheto de instruções que acompanha o eléctrodo e a peça de mão para obter instruções específicas sobre limpeza e esterilização. Recomendamos que todos os eléctrodos e peças de mão contaminados sejam esterilizados antes de serem inutilizados.



---

## ACESSÓRIOS

Os acessórios abaixo listados são acessórios originais AaronÆ destinados a serem utilizados com o Dessecador de Alta-Frequência Aaron. Os acessórios, peças de substituição e itens descartáveis não listados abaixo apenas deverão ser utilizados quando a respectiva segurança e adequação técnica tiverem sido verificadas. Encontram-se disponíveis acessórios adicionais no seu representante Aaron local.

Os itens reutilizáveis deverão ser verificados para confirmar se não existem danos antes de cada re-esterilização. Acessórios danificados poderão causar queimaduras acidentais.

### **Acessórios Standard Recomendados**

<u>N° de Catálogo</u>	<u>Descrição</u>
A901	Peça de mão substituível com 3 botões (para utilização apenas com A900)
A802EU	Placa de protecção à terra com cabo
A827EU	Cabo bipolar reutilizável
A804	Pontas dérmicas descartáveis (pontiaçadas)
A806	Pontas dérmicas descartáveis (rombas)
A801EU	Peça de mão substituível (para utilização apenas com A800EU)

## DESCRIÇÃO TÉCNICA

### **Ligação à rede eléctrica principal**

Tensão principal:	110 / 220 VCA
Frequência principal:	50 - 60 Hertz
Corrente principal:	1 A / 800 mA Máx.
Consumo de energia:	80 W
Ciclo de trabalho:	10 seg. ligado / 30 seg. desligado
Fusíveis principais	2 x 1,25 A (queima lenta), modelo 110 2 x 800 mA (queima lenta), modelo 220

### **Características de saída AF**

#### **Monopolar**

Potência de saída:	30 W / 1000Ω
Frequência de saída:	550 kHz
Tensão de pico em circuito aberto:	5000 V

Consultar as Figuras 5 e 7 para ver diagramas que ilustram as características de saída monopolar.

#### **Bipolar**

Potência de saída:	30 W / 200Ω
Frequência de saída:	550 kHz
Tensão de pico em circuito aberto:	2100 V

Consultar as Figuras 4 e 6 para ver diagramas que ilustram as características de saída bipolar.

### **Segurança**

Construção básica:	Em conformidade com a norma EN 60601-1.
Modo de funcionamento:	Funcionamento intermitente.
Classe de protecção:	EQUIPAMENTO DE CLASSE I.
Tipo de saída:	TIPO BF

---

## **Dimensões e Peso**

Comprimento x largura x altura = 22,2 cm x 11,4 cm x 15,9 cm

Peso: 2,3 kg

## **GARANTIA E REPARAÇÃO**

O Dessecador de Alta-Frequência Aaron está coberto por garantia pelo período de dois anos. A peça de mão está coberta por garantia pelo período de dois anos ou 25 ciclos de autoclave a vapor, o que ocorrer primeiro. A garantia será anulada se ocorrer dano resultante de manuseamento incorrecto ou utilização indevida do produto.

Para reparações e serviços ao abrigo da garantia, é favor contactar a Aaron e obter um número de autorização para devolução de produtos (RGA ñ Return Goods Authorization). Colocar o número de forma a poder ser visto no exterior da embalagem e enviar directamente para a Aaron. Uma devolução sem RGA não poderá ser aceita.

## **RESOLUÇÃO DE PROBLEMAS**

O Dessecador de Alta-Frequência Aaron foi concebido e fabricado tendo em mente os mais altos requisitos de segurança. A unidade está equipada de forma a detectar automaticamente uma avaria. A tabela que se segue apresenta os códigos de erro, o respectivo significado e acções correctivas recomendadas para resolver o erro.

<b>Código de erro</b>	<b>Descrição do Erro</b>	<b>Acção Recomendada</b>
E1	Activação no arranque.	<ul style="list-style-type: none"><li>• Verificar a activação da peça de mão.</li><li>• Verificar a activação do pedal; quando a activação for interrompida, a unidade resolverá o erro. Se o erro persistir, a peça de mão poderá estar avariada e necessitar de substituição.</li></ul>
E2	Detecção de sobretensão de alimentação CC	<ul style="list-style-type: none"><li>• Desligar e voltar a ligar a unidade.</li><li>• Certificar-se que a unidade está ligada à fonte de alimentação correcta para a unidade.</li></ul>
E3	Largura de pulso	<ul style="list-style-type: none"><li>• Desligar e voltar a ligar a unidade.</li></ul>
E4	Erro delta	<ul style="list-style-type: none"><li>• Desligar e voltar a ligar a unidade.</li></ul>
E5	Erros múltiplos	<ul style="list-style-type: none"><li>• Desligar e voltar a ligar a unidade.</li></ul>
E6	Erro de temperatura	<ul style="list-style-type: none"><li>• Desligar a unidade. Deixar arrefecer a unidade. Voltar a ligar a unidade.</li></ul>

Se o problema persistir, a unidade deverá ser retirada de funcionamento e o fabricante deverá ser notificado. Para obter assistência técnica ou uma autorização de devolução, telefonar para 1-800-537-2790.

## **TRANSPORTE E ARMAZENAMENTO**

Intervalo de temperatura ambiente: -40∞C a 70∞C

Humidade relativa: 10% a 100%, non-condensação

Pressão atmosférica: 500hPa a 1060hPa.

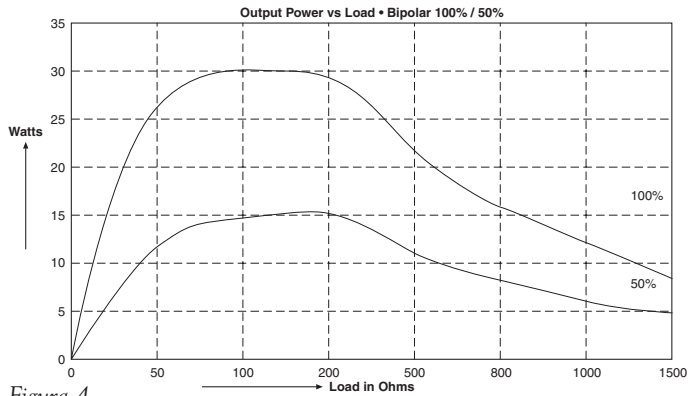


Figura 4

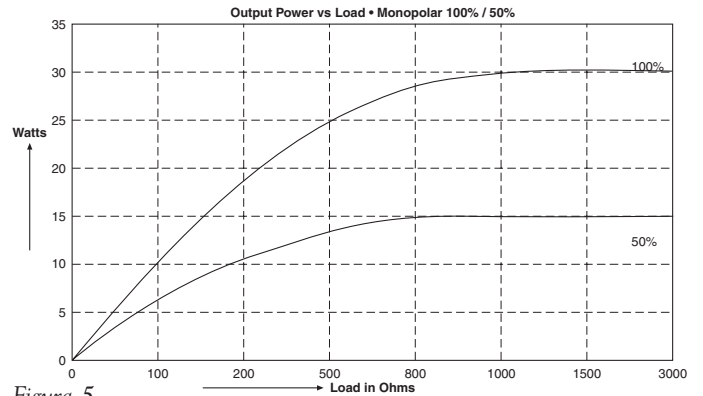


Figura 5

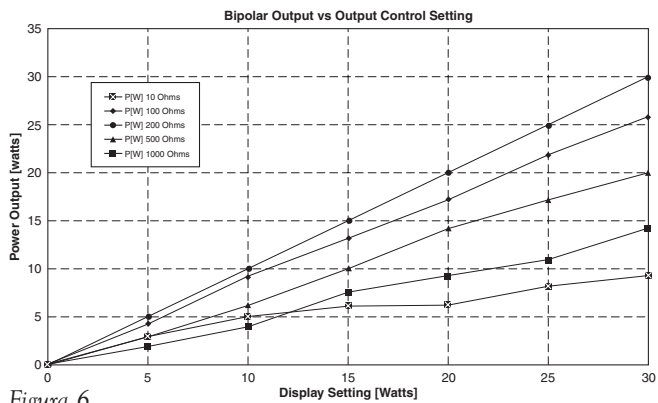


Figura 6

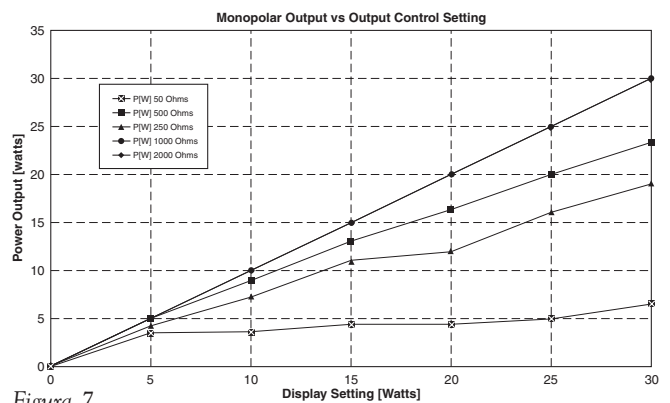


Figura 7

---

## DESCRIÇÃO DOS SÍMBOLOS



Atenção: Para reduzir o risco de choque eléctrico, não remover o painel traseiro. A assistência terá que ser feita por pessoal qualificado.



Atenção: O local das tomadas é uma fonte de tensão perigosa.



Atenção: Ler as instruções de utilização antes de utilizar o equipamento.



Ligado (alimentação: ligação à rede eléctrica principal).



Desligado (alimentação: desligação da rede eléctrica principal).



Fusível incluído (o aviso aparece ao lado do símbolo).



Tomada de saída monopolar (tomada para caneta controlada manualmente).



Tomada de saída bipolar.



Placa do paciente, para utilização nos modos monopolares.



Tomada para pedal, para activação de dispositivos monopolares (opcional) e bipolares controlada pelo pé.



Equipamento de tipo BF.



Radiação não ionizante.



Eléctrodo neutro com ligação à terra.



▼ □ ▸ Controlo de volume.



Risco de explosão se utilizado com anestésicos inflamáveis.